



# Parts for Obsolete Systems

## Section G: Table of Contents

### Basket Blasters

BB2-1A & BB4-1A Basket Blasters	G2
BB2 Basket Blaster	G4
BB4 Basket Blaster	G5
BBO Basket Blaster	G6

### Econo-Finish® Systems

G7

### S-Series

S-30 Econ-O-Cab (or former S-20)	G9
S-36 Econ-O-Cab (or former S-26)	G10

### MH-Series

MH-2636P Pressure Cabinet	G11
MH-3696P & 3648P Pressure Cabinets	G12
MH-2030S Suction Cabinet	G13
MH-2636S Suction Cabinet	G14
MH-3648S & MH-3040S Suction Cabinets	G15

### ProBlast

ProBlast Pressure Cabinet	G16
ProBlast Suction Cabinet	G18

### CAB-Series

CAB-3636P Pressure Cabinet	G20
CAB-3660S Suction Cabinet	G21

### MH-Series

Electrical components for MH- and CAB Series	G22
Dust Collectors: DC-65, DC-75, DC-170 and DC-210	G23
MH-1 Mixing Head	G24

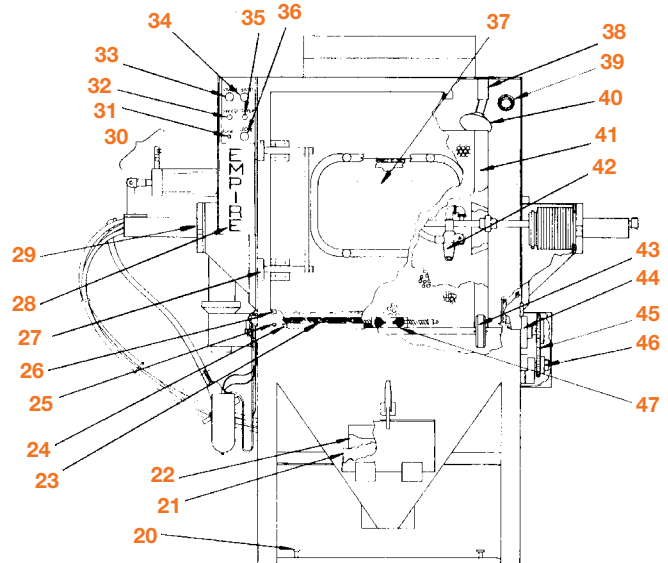
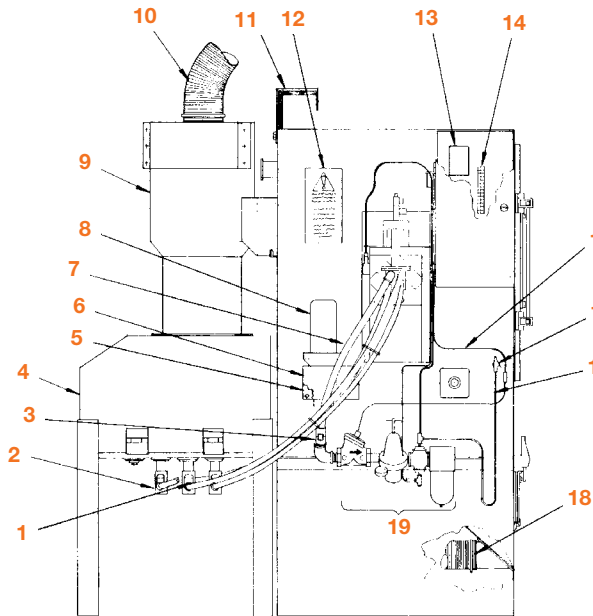


Never use silica sand in any Empire equipment.



# Parts: BB2-1A & BB4-1A Basket Blasters

## Guide to Part Numbers for Systems from 1986 to 2001



### BB2-1A & BB4-1A Basket Blasters

Item	Description	PART #
1	Blast hose, 5/8" ID x 12'	522601
2	Media regulator, SAR-2	290156
3	Quick disconnect coupling, QC-1/2	505222
	Safety pin	510511
4	Hopper, multi-gun (4 outlet)	140487
5	Gasket, gear reducer	525821
6	Gear reducer	570661
7	Air hose assembly, 1" ID x 3'	523051
8	Motor	549561
9	Reclaimer, 600 CFM with coating and wearplate	330003
10	Dust hose, 6" x 11'	516101
11	Cabinet silencer assembly	140730
	Inlet deflector	763701
12	Decal, instructions/warnings	567391
13	Motor control with knob (before 9/89)	535271
	Motor control with knob (after 8/89)	535003
14	Terminal strip, 15 pole	533592
15	Tubing, 1/4" OD	510541
	Tubing, 3/8" OD x 4' (Auto blow off)	523041
16	Gun, dust off	509821
17	Hose with fittings, dust off gun	521481
18	Conveying hose assembly, 4" x 8"	140354
19	Pipe string, BB4-1A & BB2-1A	140485
20	Leveling bolt, 3/8"-16 x 2", 4 required	551742
21	Gasket, parts door	525841
22	Chute, parts door	766991
	Stripe decal (5' Assembly)	566491
23	Paint, 6 oz. aerosol, beige	564471
	Paint, 6 oz. aerosol, gold	564392
24	Gasket, door, 1" x 1 1/2" (4' assembly)	525911
25	Bumper, urethane	525041
	Brass interlock extension	753651
26	Gasket, door, 1"x1" (12' assembly)	525901

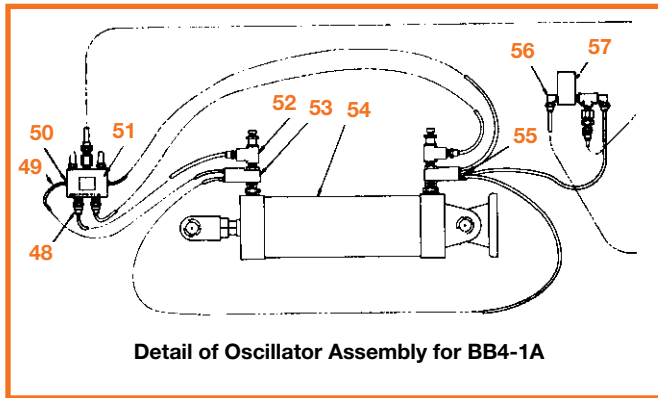
Item	Description	PART #
	Latch kit includes bulleted items below	509371
	• Latch, door (without handle hole)	509371
27	• Catch, door	751242
	• Spacer, catch	509381
28	Decal, "Empire"	566481
29	Oscillation bearing (4 required per assembly)	766831
30	Oscillation assembly (See page G3 for detail)	
31	Fuse, 10 Amp.	532281
	Motor control with knob	535271
32	(Before 9/89 requires rewiring)	
	Motor control with Knob (after 8/89)	535003
33	Start switch	534503
34	Stop switch	534283
35	Timer, 0-60 min.	531041
36	Jog switch	534471
	Window kit includes bulleted items below	140544
	• Safety glass, 14" x 22"	510401
	• Gasket, window (6" section)	524451
37	• Gasket, 1/4" x 1/4" (Specify length)	525941
	• Frame, window	760291
	• Knob, 3/8"-16 (4 required)	510461
	• Bolt, 3/8"-16 x 1 1/4"	551852
	• Spacer, window, (4 required)	525931
	<b>Widow options not included in kit</b>	
	Plastic window protector (option)	509191
	Screen window protector (option)	509201
38	Light fixture with gasket	532711
39	Gasket, light bulb (2 required)	580191
40	Spotlight, 150W (2 required)	532701
	<b>BB4-1A baskets, 30" Dia. x 30" Wide</b>	
41	Basket assembly, 5/16" perforation (std.)	510651
	Basket assembly, 5/16" max. perf., arbonited	509171
	Basket assembly, 1/8" perforation	767141



# Parts: BB2-1A & BB4-1A Basket Blasters

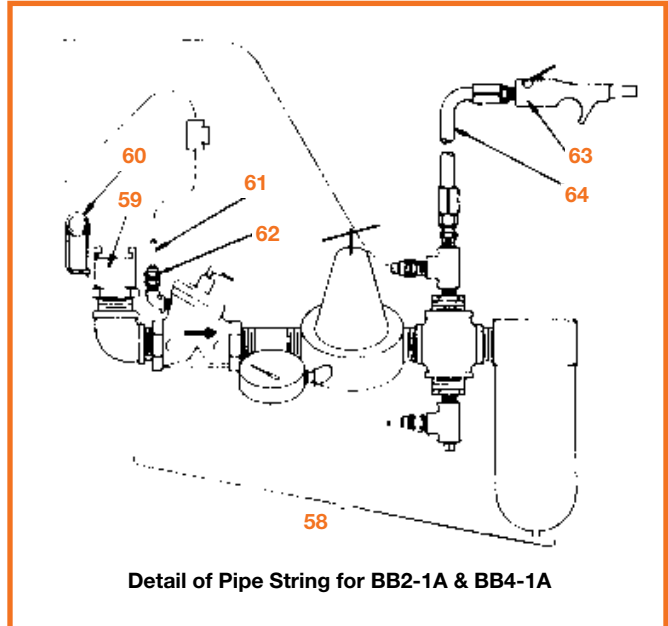
Item	Description	PART #
<b>BB2-1A baskets, 30" Dia. x 16" Wide</b>		
41	Basket Assembly, 5/16" perf. (std.)	767131
	Basket Assembly, 5/16" max. perf., arbonited	509281
	Basket Assembly, 1/8" perforation	767151
42	Blast gun, MH-2 short, 5/16" Di-Carb	505571
43	Wheel	510531
44	Bearing (3 per assembly)	570101
	Felt seal (3 per assembly)	510081
45	Chain	570771
46	Idler shaft	570603
	Idler sprocket	570611
47	Latch kit, basket (set of 2, complete)	140729

## Guide to Part Numbers



Item	Description	PART #
48	Adapter, 1/4" tube x 1/8" MPT	520252
49	Tubing, 1/4" O.D.	510541
	Tubing, 3/8" O.D. (Auto blow off)	523041
50	Barbed fitting, 1/4" tube x #10-32	521101
51	Valve, oscillation	518581
52	Valve, flow control	518571
53	Sensor	518561
54	Air cylinder	509221
	Repair kit, air cylinder	509271
55	Tee	522451
56	Adapter, 1/4" tube x 1/8" MPT, 90°	520432
57	Solenoid valve	519001

## Guide to Part Numbers



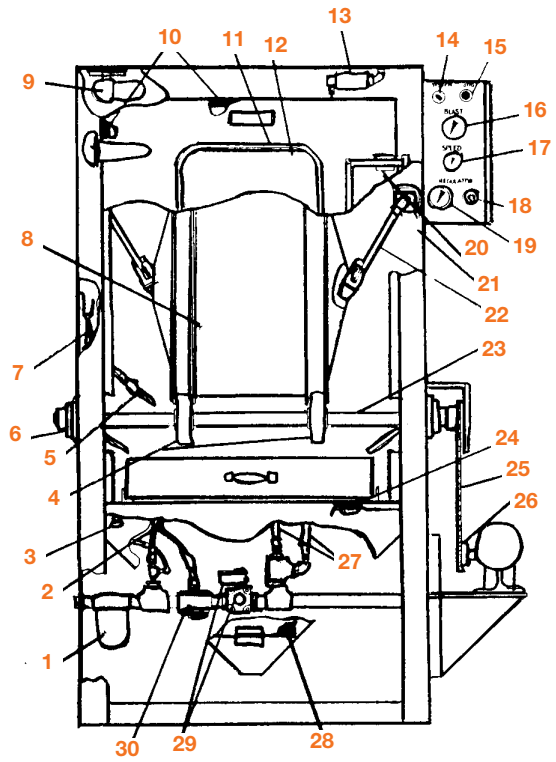
Item	Description	PART #
58	Pipe string	140485
59	Hopper, multi-gun, 4 outlets	140487
60	Safety pin	510511
61	Teflon sealing tape, roll	566222
62	Adapter, 3/8" tube x 1/4" MPT (Auto blow off)	520702
63	Gun, dust-off	509821
64	Hose with fittings, dust-off gun	521481

## Parts Not Shown

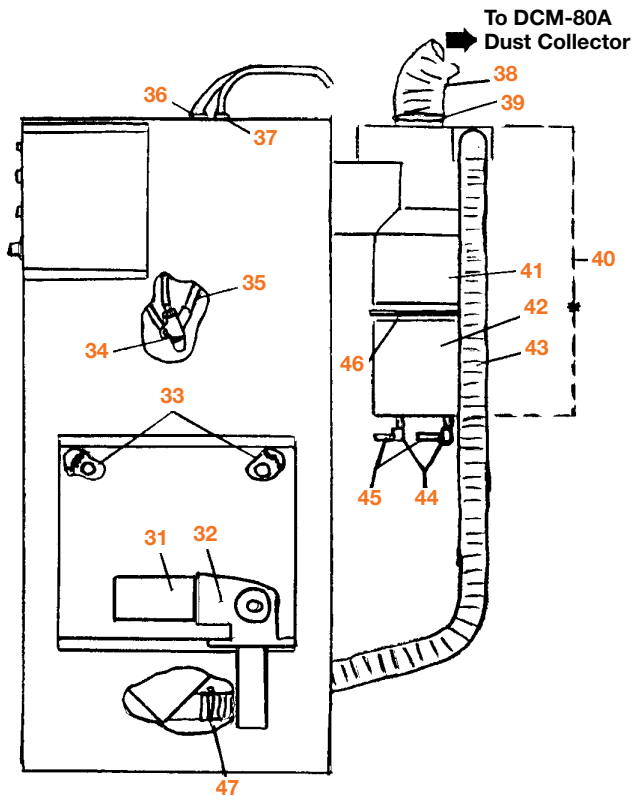
Description	PART #
<b>DCM-80A Dust Collector for BB2-1A</b> (See Pro-Finish Section, A42, for details.)	<b>112000</b>
<b>Blower motor, 1 horsepower for BB2-1A</b> (See Pro-Finish Section, A45, for details.)	<b>549701</b>
<b>DCM-200 Dust Collector for BB4-1A</b> (See Pro-Finish Section, A42, for details.)	<b>113000</b>
<b>Blower motor, 1½ horsepower for BB4-1A</b> (See Pro-Finish Section, A45, for details.)	<b>549721</b>

# Parts: BB2 Basket Blaster

## Guide to Part Numbers – Obsolete 1985



26" Diameter Basket

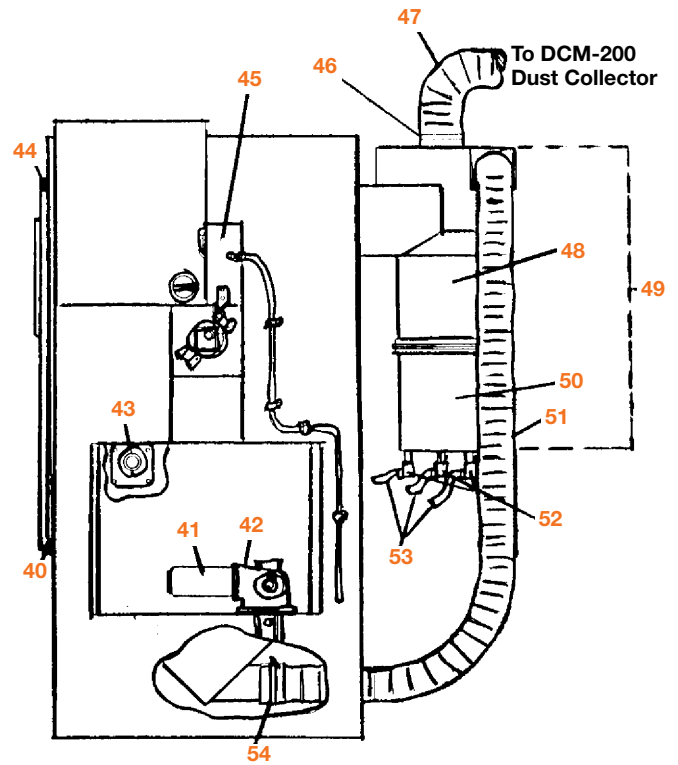
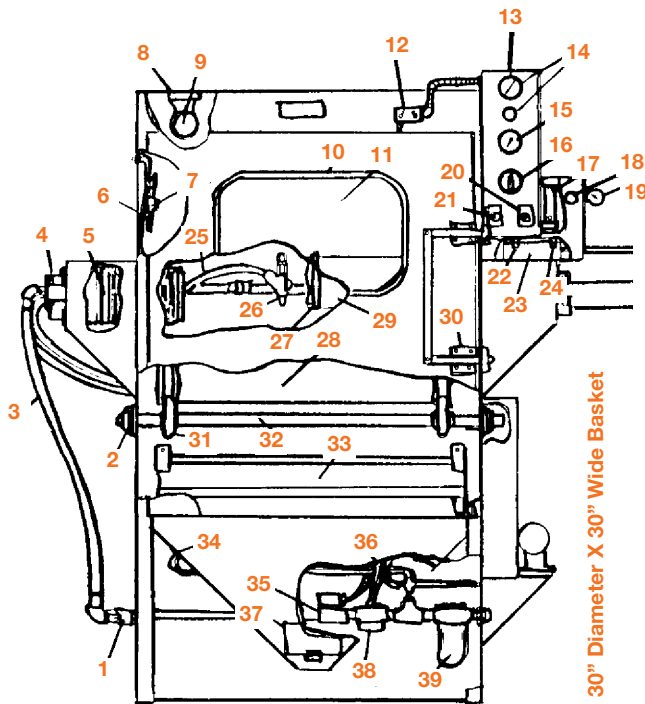


BB2 Basket Blaster		
Item	Description	PART #
1	Air filter, 1" NPT	5045??
2	Air hose, 1/4" with fittings (dual line)	521411
3	Hose grommet	523951
4	Barrel drive wheel (each)	510531
5	Dust-off gun	509821
6	Drive bearing	570101
7	Air hose, dust-off gun, 1/4" with fittings	521441
8	Basket assembly (uncoated) 26" diameter	509331
	Basket assembly (PVC coated)	511271
9	Light fixture assembly	532601
	Fixture globe	532621
10	Door gasket	525741
11	Window gasket	524521
12	Safety window, 14" x 22"	510401
13	Door safety switch	534521
14	Switch	534491
15	Jog button	534471
16	Electric timer, 0-to-60 minutes	531041
17	Speed control with adjustment arm	535271
18	Pressure regulator, 1/4" NPT	517611
19	Air gauge	550212
20	Door latch	509371
21	Knuckle assembly	560231
22	Extension arm	510731
23	Drive shaft (each)	510271

Item	Description	PART #
24	Door gasket	525751
25	Drive chain (10' section)	510111
26	Motor sprocket	510101
27	Air hose, 1/2" ID with fittings	521321
28	Clean-out door gasket	524181
29	Solenoid valve, 1" NPT	517901
30	Pressure regulator, 1" NPT	517631
31	Barrel drive motor, 1/2 HP, 90 DCV, 1725 RPM	549561
32	Gear reducer	549641
33	Shaft sprocket	510091
34	Blast guns, short handle (See Pro-Finish Section, A57, for details.)	
35	Blast hose section, 5/8" ID	521291
36	Hose grommet	523921
37	Hose grommet	523931
38	Dust hose, 6" x 12' long	515621
39	Adjustable clamp, 6"	520551
40	Reclaimer assembly, complete	CALL
41	Reclaimer door gasket	524331
42	Suction hopper (multi-gun)	140487
43	Conveying hose, 4" x 8' long	515861
44	Media regulator assembly	290156
45	Blast hose section, 5/8" ID	521291
46	Reclaimer hopper gasket	524371
47	Adjustable clamp, 4"	520531

# Parts: BB4 Basket Blaster

## Guide to Part Numbers – Obsolete 1985

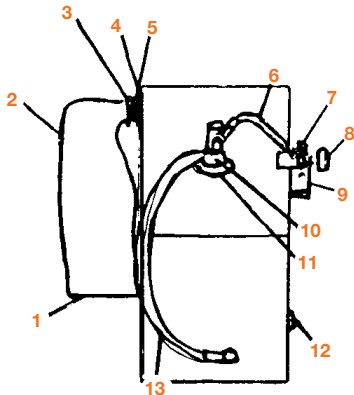


BB4 Basket Blaster		
Item	Description	PART #
1	Blast hose coupling	505222
2	Shaft bearing	570101
3	Air hose, 1" ID with fittings	521161
4	Cam follower (8 required)	570801
5	Cam bracket (4 required)	510061
6	Bellows	510641
7	Air hose, dust-off gun, 1/4" with fittings	521441
8	Dust-off gun	509821
9	Light-fixture assembly	532601
10	Fixture globe	532621
11	Window gasket	524521
12	Safety window, 14" x 22"	510401
13	Door safety switch	531601
14	Air gauge	550212
15	Pressure regulator, 1/4" NPT	517611
16	Speed control with adjustable knob	535271
17	Electric timer, 0-to-60 minutes	531041
18	Hydraulic oil reservoir	560041
19	Pressure regulator, 1/4" NPT	517611
20	Air gauge, 1/4" NPT	550242
21	Jog button	534471
22	Switch	534491
23	Cylinder switch, Retro fit kit	534353
24	Oscillating drive cylinder	510371
25	Repair kit for Part # 510371	560191
26	Cylinder switch	534373
27	Blast hose section, 5/8" ID	521291
28	Blast guns (See Pro-Finish Section, A57, for details.)	
29	Adjustable clamp, 4"	520531

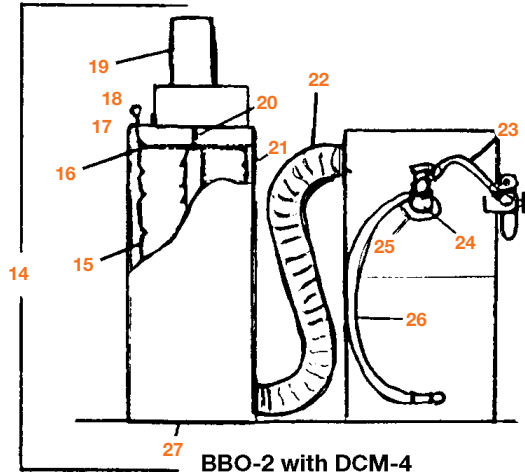
Item	Description	PART #
28	Basket assembly (uncoated)	510651
29	Basket assembly (PVC coated)	509171
30	Mixing head guard (obsolete 11/98)	
31	Door latch	509371
32	Barrel drive wheel (each)	510531
33	Shaft	510041
34	Barrel tray	560021
35	Hose grommet	523951
36	Solenoid valve, 1" NPT	517901
37	Air hose, 1/4" ID with fittings (dual line)	521411
38	Gasket, clean-out door	524181
39	Pressure regulator, 1" NPT	517631
40	Air filter, 1" NPT	504562
41	Door gasket	525731
42	Barrel drive motor, 1/2 HP, 90 DCV, 1725 RPM	549561
43	Gear reducer	549641
44	Shaft bearing	570101
45	Door gasket	525721
46	Solenoid valve	517311
47	Adjustable clamp, 6"	520551
48	Dust hose, 6" ID x 11' long	516101
49	Reclaimer door gasket	524331
50	Reclaimer assembly complete for customer	
51	installation w/600 CFM reclaimer, multi-gun hopper, conveying hose, screen & necessary hardware	CALL
52	Suction hopper (Multi-Gun) - New Style	761481
53	Conveying hose, 4" ID x 8' long	515861
54	Media regulator assembly	290156
55	Blast hose section, 5/8" ID	521291
56	Adjustable clamp, 4"	520531

# Parts: BBO Basket Blaster

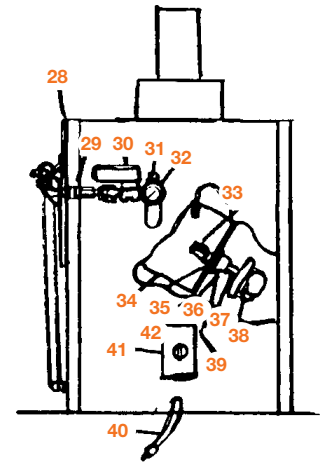
Obsolete 1987



BBO-1 with DUST BAG

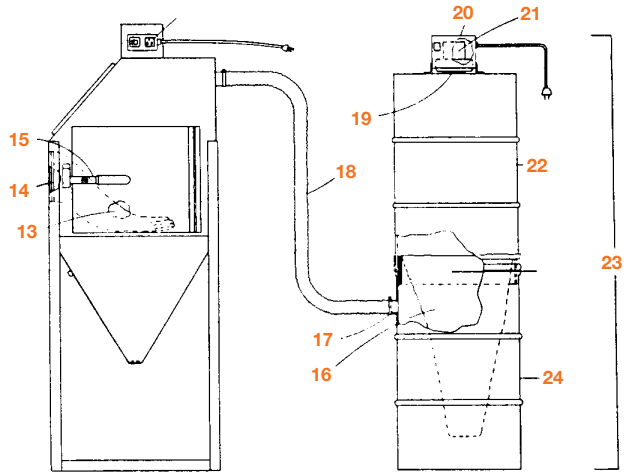
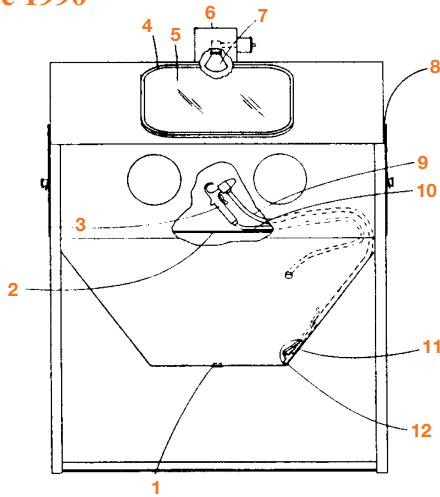


BBO-2 with DCM-4



Item	Description	Part #	Item	Description	Part #
1	Dust bag closure clamp	520461	25	Nozzle shield	523771
2	Dust bag	510001	26	Blast hose section, 1/2" I.D.	521141
3	Adjustable clamp, 3"	520521	27	Clean-out plug	520021
4	Dust bag flange	520652	28	Door gasket (Quantity of 4)	524281
5	Flange gasket	524731	29	Quick disconnect assembly	521021
6	Air hose, 1/4" I.D. with fittings	521131	30	Solenoid valve, 1/4" NPT	517921
7	Air filter/Regulator, 1/4 NPT	505282	31	Air filter/regulator, 1/4" NPT	505282
8	Air gauge	550262	32	Air gauge	550262
9	Solenoid valve, 1/4" NPT	517921	33	Basket socket	509751
10	Mixing head assembly, MH-4	- - -		Perforated basket assembly (uncoated) c/w 768191	510661
11	Nozzle shield	523771	34	Perforated basket assembly (PVC coated) c/w 768191	511441
12	Electric timer, 0-to-60 minutes	531041		Secondary floor	560101
13	Blast hose section, 1/2" I.D.	521141	35	Shaft grommet	524431
14	DCM-4 dust collector, Part # 117222 (DCM-10C)	111000	36	Shaft bearing	570161
15	Dust bag (DCM-4 - 4 required)	515531	37	Shaft	509741
16	Bag holder	515891	38	Basket motor, .01 HP, 115V/60Hz/1Ph./7 RPM	549581
17	Shaker grommet	523961		Hex pipe cap, 3/8" NPT	544072
18	Bag shaker (DCM-4)	515901	39	Motor extension shaft to adapt new basket Bulkhead fitting	- - -
19	Blower assembly, 115V/60Hz/1phase	NA	40	Line cord with plug	529601
20	Dust bag spring	515741	41	Electric timer, 0-to-60 minutes	531041
21	Capacitor with bracket	515781	42	Locknuts, 3/8" (Quantity of 2)	552462
22	Dust hose, 2 1/2" I.D. x 30" long	515561			
23	Air hose, 1/4" I.D. with fittings	521131			
24	Mixing head assembly, MH-4	- - -			

## Obsolete 1990

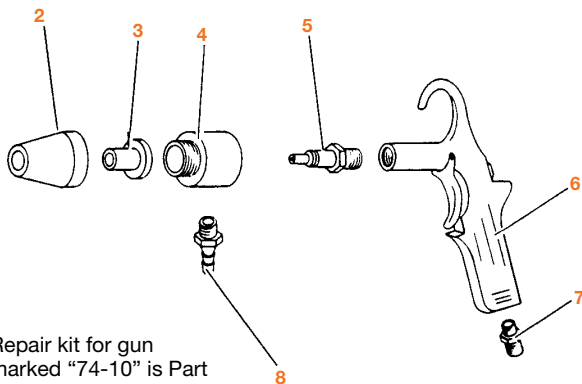


Item	Description	Part #
1	Plug	544381
2	Floor section for 2430 cabinet (2 required) Floor section for 2436 cabinet (2 required) Floor section for 2448 cabinet (2 required)	761201 761211 761221
3	Media gun (see below)	---
4	Window gasket	524521
5	Safety window glass, 14" x 22"	510401
6	Fiberglass filter	510491
7	Retainer screen Spotlight	510481 532701
	Spotlight assembly	140468
8	Door gasket	524791
9	Blast hose, 1/2" I.D. with fittings for 2430 & 2436 cabinets Blast hose, 1/2" I.D. with fittings for 2448 cabinet	522691 522701
10	Air hose, 1/4" I.D. with fittings for 2430 & 2436 cabinets Air hose, 1/4" I.D. with fittings for 2448 cabinet	522671 522681
11	Media-regulator syphon-tube assembly	761101
12	Screen assembly with clamp	140476
13	Rubber gloves, pair Rubber glove, left hand	509891 510821

Item	Description	Part #
14	Adjustable clamp, 8"	520561
15	Door handle	760361
16	Dust bag	515951
17	Adjustable clamp, 3"	520521
18	Dust hose, 3" I.D. x 6' long	515941
	Blower motor assembly parts	
	Bag clamp	761471
	Spring	510961
19	Motor brush (2 required)	515801
	Motor bearing	515791
	Line cord	529601
	Hush cloth	525051
20	Motor cover - Obsolete	---
21	Fan motor, 115V/50Hz/1 phase	515761
22	Dust collector (top half) - Obsolete	---
23	DC16 dust collector DC30 dust collector	117216 117230
24	Dust collector (bottom half) - Obsolete	---
•	Electric switch (not shown)	534571

### P-190 Suction Blast Gun with Trigger

1 Parts numbers for guns with various nozzles shown to right.



Repair kit for gun marked "74-10" is Part Number 505191. Kit includes steam, seal and O-ring.

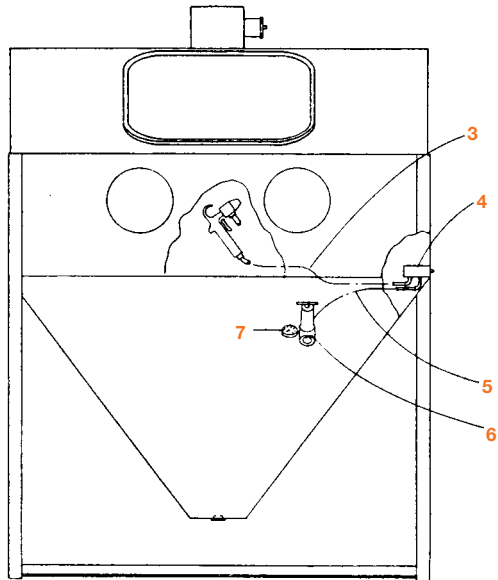
Item	Description	Part #
1	Gun with 1/4" ceramic nozzle Gun with 5/16" ceramic nozzle Gun with 1/4" Di-Carb nozzle Gun with 5/16" Di-Carb nozzle	505411 505422 505391 505402
2	Nozzle adapter (use Part # 504921 for Boron)	504901
	Ceramic nozzle, 1/4"	502661
	Ceramic nozzle, 1/4" (quantity of 10)	502401
	Ceramic nozzle, 5/16"	502701
3	Ceramic nozzle, 5/16" (quantity of 10) Di-Carb nozzle, 1/4" Di-Carb nozzle, 5/16"	502411 501311 501321
4	Suction head	505331
5	Air jet, 3/32" with O-ring Part # (523891) Air jet, 1/8" with O-ring Part # (523891)	504821 504811
6	Gun body	505171
7	Connector	521541
8	Barbed fitting	520372

## Obsolete 1990

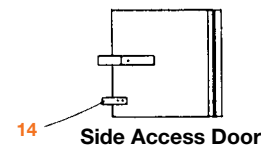
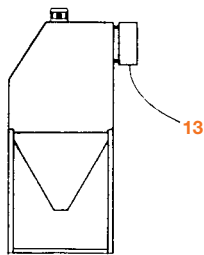
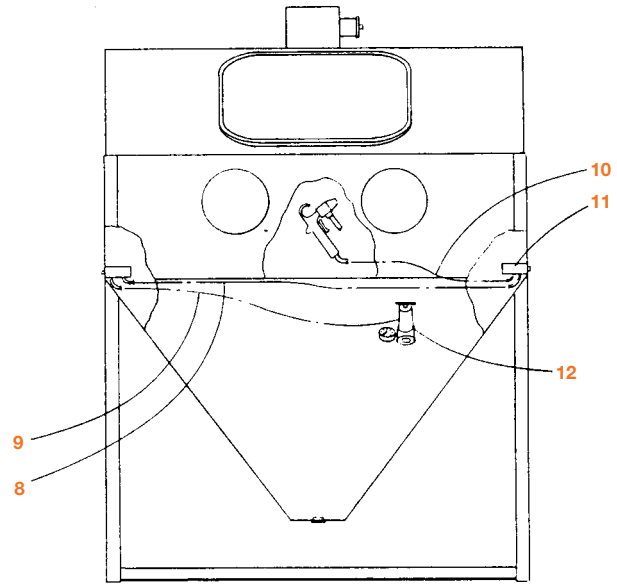
Item	Description	Part #
1	Optional safety switch (complete) for 2430 & 2436 cabinets, one door	140336
2	Optional safety switch (complete) for 2448 cabinet, two doors	NA
3	Air hose, 1/4" ID with fittings for 2430 & 2436 cabinets	522671
	Air hose, 1/4" ID with fittings for 2448 cabinet	522681
4	Door-switch air valve, 1/4" NPT	517981
5	Regulator to door-switch air hose, 1/4" ID with fittings for 2430 & 2436 cabinets	NA
6	Pressure regulator, 1/4" NPT with gauge	517602
7	Air gauge only, 1/4" NPT	550242

Item	Description	Part #
8	Door switch to door-switch air hose, 1/4" ID with fittings for 2448 cabinet	522731
9	Regulator to door-switch air hose, 1/4" ID with fittings for 2448 Cabinet	522721
10	Air hose, 1/4" ID with fittings for 2430 & 2436 cabinets	522671
	Air hose, 1/4" ID with fittings for 2448 cabinet	522681
11	Door-switch air valve, 1/4" NPT	517981
12	Pressure regulator, 1/4" NPT with gauge	517602
13	Optional electric operation with 208-240V/50-60Hz/Single phase	140341
14	Switch tripper	761631

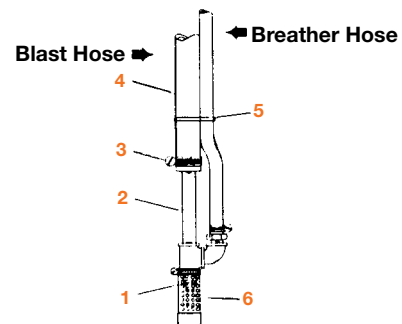
### 1 Optional safety switch (Single-door cabinets)



### 2 Optional safety switch (Two-door cabinets)



Item	Description	Part #
1	Modified orifice tip	761921
2	Syphon-tube assembly with small hose (Does not include items 3, 4 and 5)	761101
3	Adjustable clamp, 3/8"	522062
4	Blast hose, 1/2" ID with fittings for 2430 & 2436 cabinets	522821
	Blast hose, 1/2" ID with fittings for 2448 cabinet	522821
5	Ty-Rap	528521
6	Screen assembly with clamp	140476

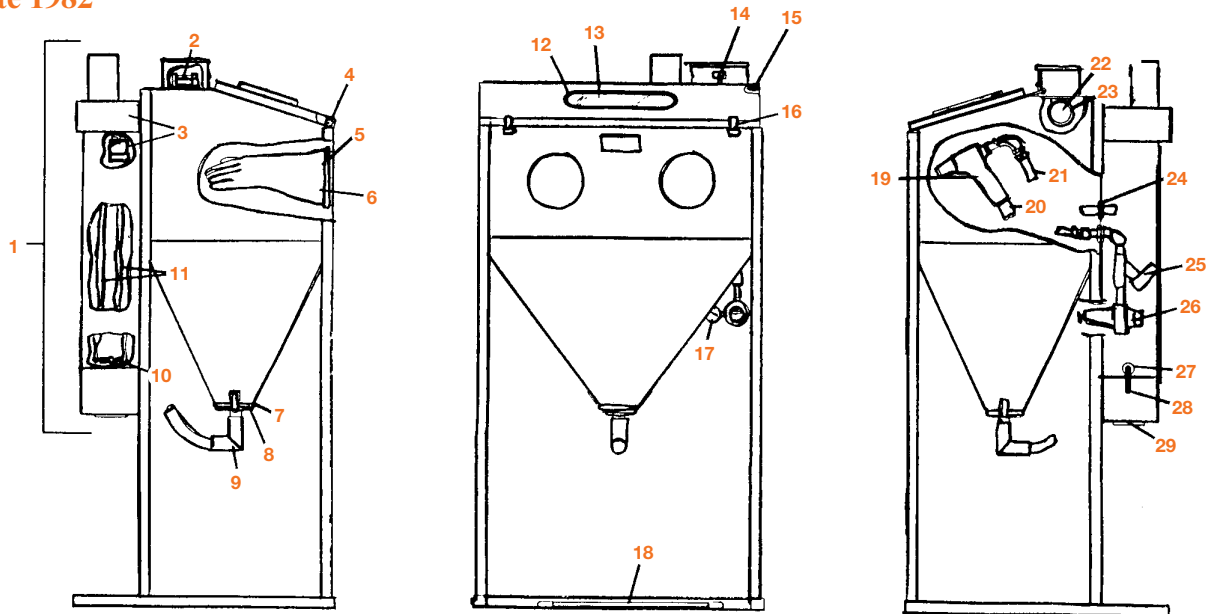






# Parts: S-30 Econ-O-Cab (Former S-20)

Obsolete 1982

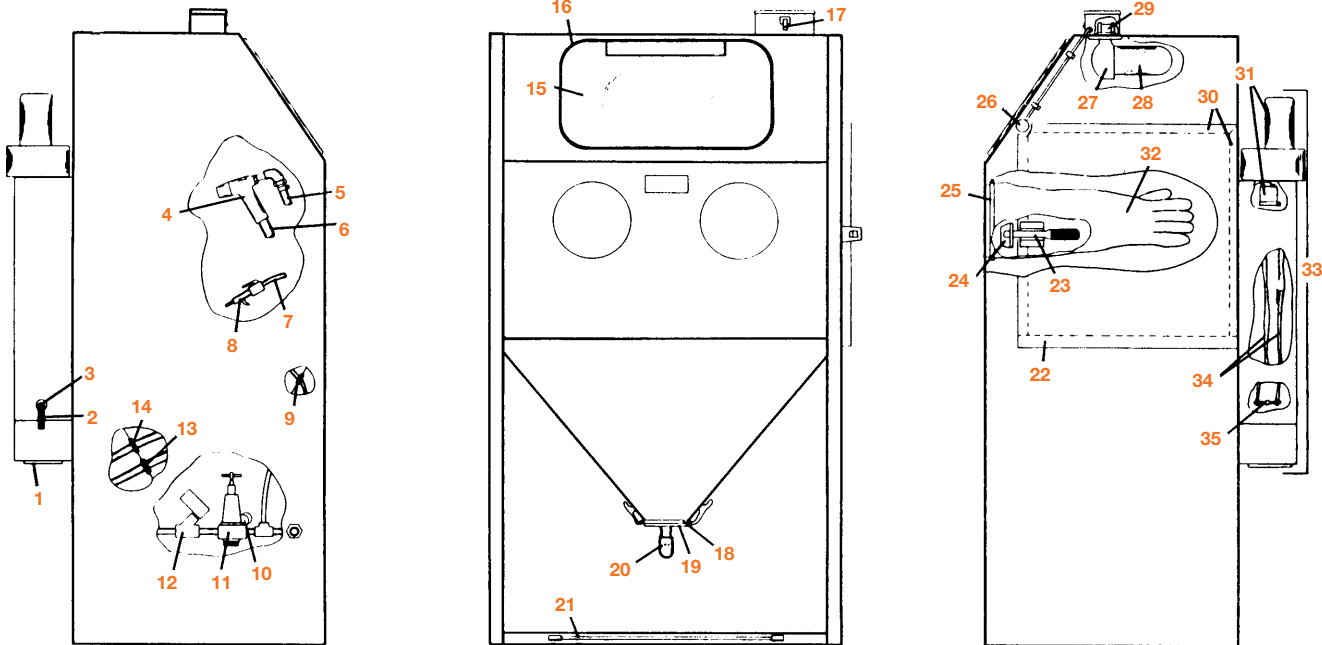


Item	Description	Old PN	New PN	Item	Description	Old PN	New PN
1	DCM-10J dust collector	-----	Call	15	Door safety switch	26132	534551
2	Electric transformer	85426	533011	16	Door latch/keeper	81466	300016
3	Blower motor complete with capacitor (115V/60Hz/Single phase for MH-2 gun) (Motor used with P-190 gun)	NA	NA	17	Gauge	89461	550242
4	Door gasket 1" x 1" (8' required) (Specify length.)	84410	523651	18	Foot control	26130	510161
5	Adjustable clamp	89617	520561	19	Mixing head assembly (See page G7 for P-190 & page A57 for MH-2.)	-----	Call
6	Rubber gloves (pair)	83404	509921	20	Media hose 5/8" x 76"	26286	522571
7	Gasket for cabinet flange	84431	524251	21	Air hose with fittings 1/2" x 63"	26444	521371
8	Regulator cabinet flange	87459	751292	22	Light fixture without globe	85430	532601
9	Regulator elbow	81449	509811	23	Fixture globe	85431	532621
10	Bag spacer	24437	515881	24	Grommet, media hose	84482	523931
11	Dust bag (2 required)	83519	515571	25	Solenoid valve, 1/2" NPT	88487	517911
12	Window gasket	26510	524511	26	Pressure control	88505	517141
13	Safety window, 8" x 14"	81483	509631	27	Grommet, rubber, shaker handle	NA	NA
14	On/off switch	85549	534511	28	Shaker handle, dust bag	81569	509731
				29	Collector clean-out plug	24435	520021
				•	Perforated steel floor (not shown)	27193	Call



# Parts: S-36 Econ-O-Cab (Former S-26)

Obsolete 1982



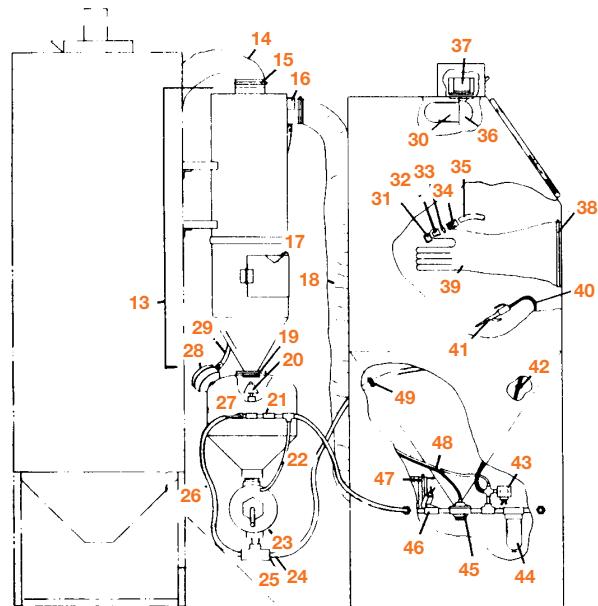
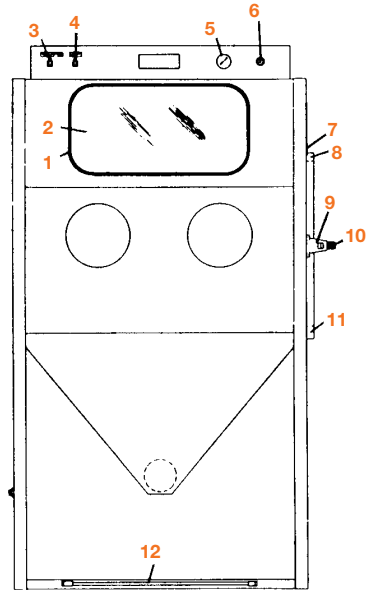
Item	Description	Old PN	New PN	Item	Description	Old PN	New PN
1	Dust collector clean-out plug	24435	520021	22	Door gasket, 1½" x 1" (2' required) (Specify length.)	84411	523641
2	Shaker handle	81569	509731	23	Door latch and keeper	81463	300016
3	Shaker handle rubber grommet	NA	NA	24	Door keeper only	87493	751242
4	Mixing head assembly (See page G7 for P-190 & page A57 for MH-2.)	—	Call	25	Adjustable clamp	89617	520561
5	Air hose with fittings, ½" x 75"	26442	521331	26	Door safety switch	26132	534551
6	Media hose, ⅝" x 70"	26287	522571	27	Light fixture without globe	85430	532601
7	Dust-off gun hose with fittings	28547	521461	28	Fixture globe	85431	532621
8	Dust-off gun	82751	509821	29	Electric transformer	85426	533011
9	Dust-off hose grommet	84489	523951	30	Door gasket, 1" x 1" (6' required) (Specify length.)	84410	523651
10	Gauge	89461	550242		Blower complete with capacitor		
11	Pressure control	88505	517141	31	(115V/60Hz/Single phase for MH-2 gun) (Motor used with P-190 gun)	NA	NA
12	Solenoid valve, ½" NPT	88487	517911			NA	NA
13	Air hose grommet	84481	523921	32	Rubber gloves (pair)	83400	509891
14	Media hose grommet	84482	523931	33	DCM-10J dust collector	—	Call
15	Safety window, 14" x 22"	81482	510401	34	Dust bag (2 required)	83519	515571
16	Window gasket	26511	524521	35	Bag spacer	24437	515881
17	On/off Switch	85549	534511		(Not shown)		
18	Cabinet flange gasket	84431	524251	•	Perforated steel floor	27192	560081
19	Regulator cabinet flange	87459	751292	•	Screen, 5" x 4"	—	510481
20	Regulator elbow	81449	509811	•	Latch, cabinet flange	—	509581
21	Foot control (Channel is Part# 510171)	26130	510161				



# Parts: MH-2636P Pressure Cabinet

Item	Description	Old PN	New PN
1	Window gasket	26511	524521
2	Safety window, 14" x 22"	81482	510401
3	Reclaimer switch	85480	534421
4	Light switch	85481	534441
5	Gauge	89465	550212
6	Pressure control, 1/4"	88506	517611
7	Door safety switch	26132	534551
8	Door gasket, 1" x 1" (6' required) (Specify length.)	84410	523651
9	Latch keeper	87493	751242
10	Door latch	81463	300016
11	Door gasket, 1/2" x 1", (2' required) (Specify length.)	84411	523641
12	Foot control	26130	510161
13	Reclaimer assembly R-400P	Call	Call
14	Dust hose, 5" x 8'	84982	516111
15	Adjustable clamp	89615	520541
16	Wear pad	84430	524711
17	Inspection door rubber gasket	84458	524162
18	Return hose, 5" x 8'	84982	516111
19	"O" ring	84486	523942
20	Sealing valve	87412	751312
21	Regulator control hoses with fittings	28550	521481
22	Air hose with fittings	26439	521311
23	Media regulator	13001	290253
24	Media hose coupling	14081	505222
25	Tank coupling	80912	505782
26	Air hose with fittings, 1/2"	26438	521311
27	Choke valve	88431	518472
28	Exhaust valve assembly	28340	290182
29	Exhaust hose	11144	521501
30	Fixture globe	85431	532621
31	Nozzle adapter (all nozzles)	80709	504912
32	1/8" Di-Carb nozzle	14031	501272
	3/16" Di-Carb nozzle	14032	501282
	1/4" Di-Carb nozzle	14033	501292
	1/8" Boron carbide nozzle	14036	502022
	3/16" Boron carbide nozzle	14037	502032
33	1/4" Boron carbide nozzle	14038	502042
33	Nozzle washer	84442	524052
34	Nozzle coupling (all nozzles)	80932	505232
35	Media hose with fittings, 1/2" x 13'	26284	521251
36	Light fixture, complete	85430	532601
37	Electric transformer	85427	533061
38	Adjustable clamp, 8"	89617	520561
39	Gloves (gauntlet combo) (pair)	83400	509891
40	Dust-off gun hose with fittings	28547	521461
41	Dust-off gun	82751	509821
42	Dust-off hose grommet	84489	523951
43	Exhaust solenoid valve	88489	517181
44	Automatic filter	82953	505301
45	Pressure control, 1/2" NPT	88511	517621
46	Blast solenoid valve	88487	517911
47	Adjustable clamp, 5"	89615	520541
48	Dual line with fittings	28520	521391
49	Media hose grommet	84482	523931
<b>(Not shown)</b>			
	Perforated steel floor	27192	560081
	DCM-80A dust collector	—	112000

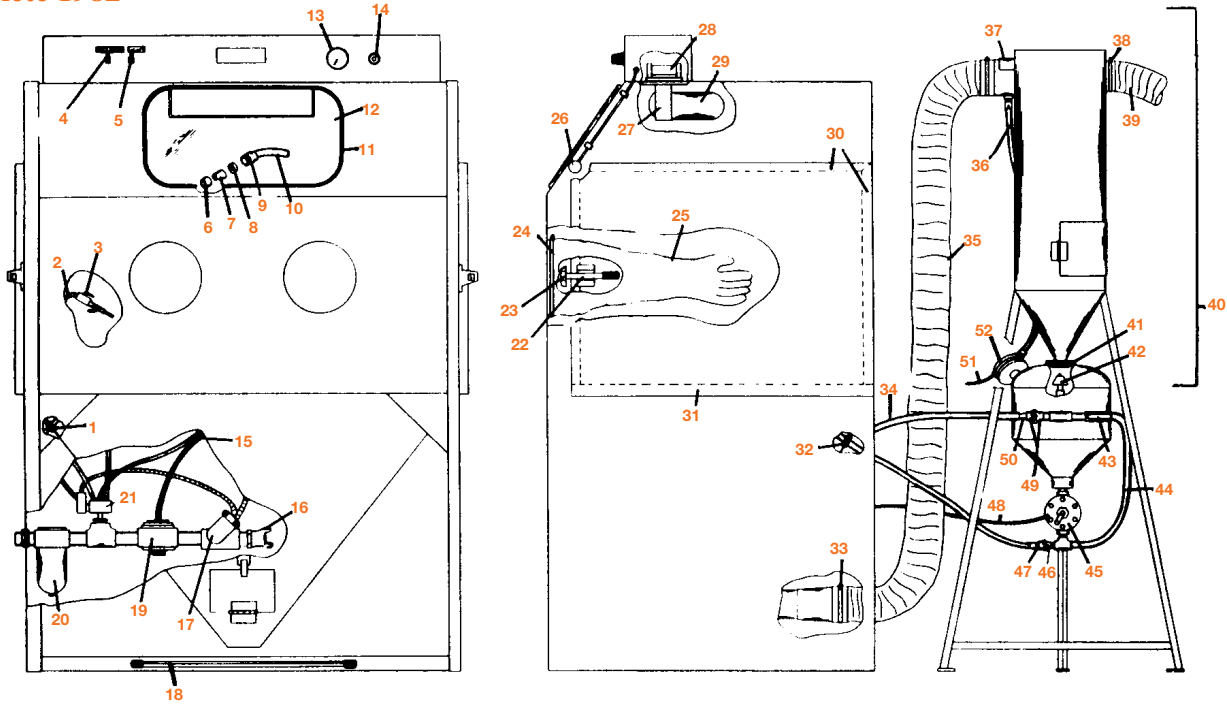
Obsolete 1982





# Parts: MH-3696P & 3648P Pressure Cabinets

Obsolete 1982

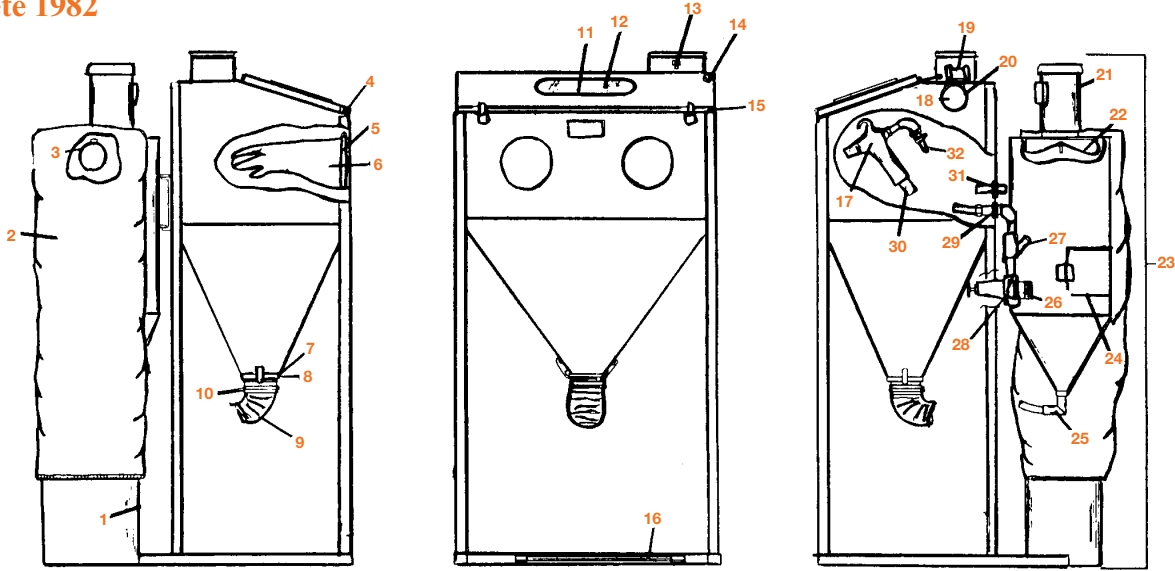


Description	Old PN	New PN	Description	Old PN	New PN
1 Dust-off hose grommet	84489	523951	28 Adjustable clamp	89617	520561
2 Dust-off gun hose with fittings	28549	521471	29 Fixture globe	85431	532621
3 Dust-off gun	82751	509821	30 Door gasket, 1" x 1" (7' required) (Specify length.)	84410	523651
4 Reclaimer switch	85480	534421	31 Door gasket, 1½" x 1" (3' required) (Specify length.)	84411	523641
5 Light switch	85481	534441	32 Media hose grommet	84482	523931
6 Nozzle adapter (all nozzles)	80709	504912	33 Adjustable clamp	89616	520551
7 1/8" Di-Carb nozzle	14031	501272	34 Air hose, 1"	26448	521381
3/16" Di-Carb nozzle	14032	501282	35 Return hose, 6" x 10'	84983	516101
1/4" Di-Carb nozzle	14033	501292	36 Exhaust hose with fittings	11145	521501
1/8" Boron carbide nozzle	14036	502022	37 Wear pad	11147	514231
3/16" Boron carbide nozzle	14037	502032	38 Adjustable clamp	89616	520551
1/4" Boron carbide nozzle	14038	502042	39 Dust hose, 6" x 10'	84983	516101
8 Nozzle washer	84442	524052	40 Reclaimer assembly R-900P	Call	Call
9 Nozzle coupling (all nozzles)	80932	505232	41 "O" Ring	84486	523942
10 Media hose with fittings	26289	521251	42 Sealing valve	87412	751312
11 Window gasket	26511	524521	43 Choke valve	88433	517442
12 Safety window, 14" x 22"	81482	510401	44 Air hose with fittings	26438	521311
13 Gauge	89465	550212	45 Media regulator	—	290383
14 Pressure control	88506	517611	46 Tank coupling	80912	505782
15 Dual line with fittings	28521	521401	47 Media hose coupling	14081	505222
16 Tank coupling	80912	505782	48 Control hoses with fittings	28550	521481
17 Blast solenoid valve	88488	517931	49 Tank coupling	80912	505782
18 Foot control	26130	510161	50 Male adapter (Specify length.)	NA	NA
19 Pressure control, 1" NPT	88512	517631	51 Gauge	89465	550212
20 Automatic filter	82926	504562	52 Exhaust valve assembly	28340	290182
21 Exhaust solenoid valve	88489	517181	(Not shown)		
22 Door latch	81463	509391	Electric transformer	85427	533061
23 Door latch keeper	87493	751242			
24 Adjustable clamp	89617	520561			
25 Rubber gloves (pair)	83400	509891			
26 Door safety switch	26132	534551			
27 Light fixture complete	85430	532601			



# Parts: MH-2030S Suction Cabinet

Obsolete 1982

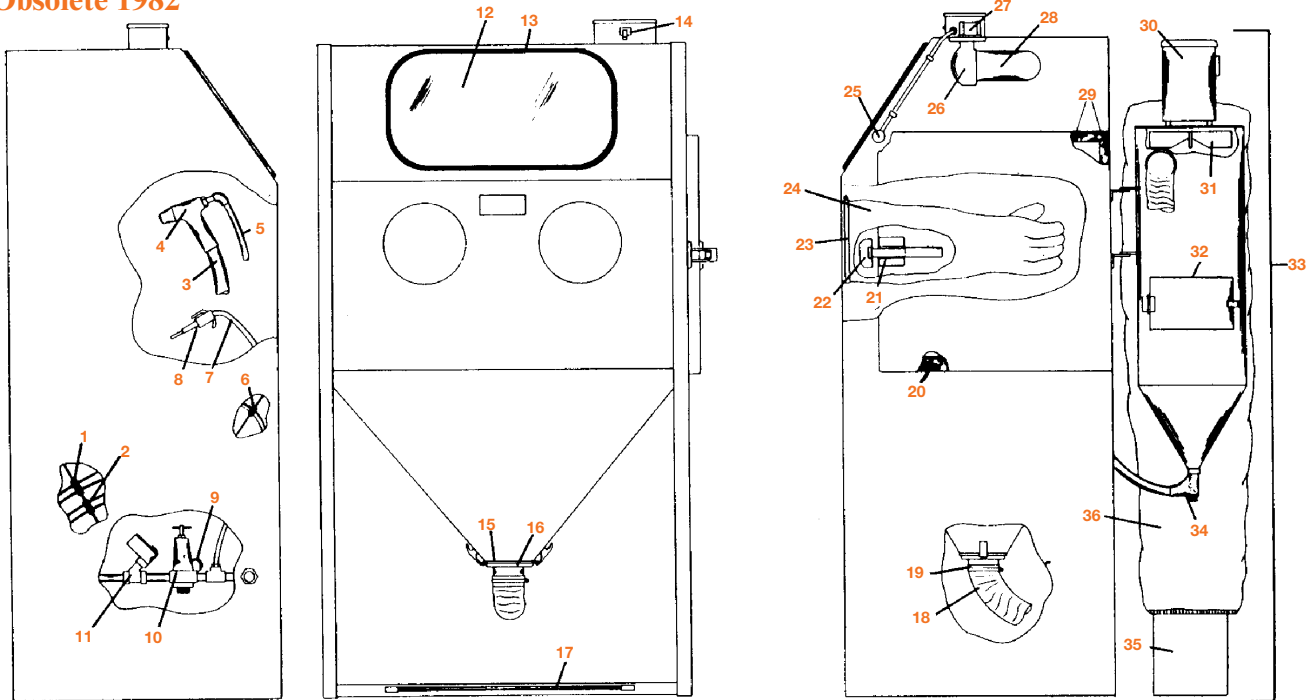


Item	Description	Old PN	New PN	Item	Description	Old PN	New PN
1	Dust bucket	—	509611	25	Media regulator	25440	290156
2	Dust bag	83511	515541	26	Pressure control	88505	517141
3	Adjustable clamp	89614	520531	27	Solenoid valve, 1/2" NPT	88487	517911
4	Door gasket, 1" x 1" (8' required) (Specify length.)	84410	523651	28	Gauge	89461	550242
5	Adjustable clamp	59616	520551	29	Air hose grommet	84481	523921
6	Rubber gloves (pair)	83404	509921	30	Media hose, 5/8" x 68"	26280	522571
7	Cabinet flange gasket	84431	524251	31	Media hose grommet	84482	523931
8	Return hose cabinet flange	NA	NA	32	Air hose with fittings, 1/2" x 30"	26444	521371
9	Return hose, 3" ID x 6'	84980	515941	<b>(Not shown)</b>			
10	Adjustable clamp	89613	520521	•	Perforated steel floor	27193	Call
11	Safety window, 8" x 14"	81483	509631	•	Reclaimer screen	—	739041
12	Window gasket	26510	524511				
13	On/off switch	85549	534511				
14	Door safety switch	26132	534551				
15	Latch and keeper	81466	509591				
16	Foot control	26130	510161				
17	Mixing head assembly (See page G7 for P-190 & page A57 for MH-2.)	—	Call				
18	Fixture globe	85431	532621				
19	Electric transformer	85426	533011				
20	Light fixture without globe	85430	532601				
21	Electric blower motor (1/3 HP, 115V/60Hz/single phase)	85901	549511				
22	Impeller blade, 9" diameter	81612	753011				
23	Reclaimer assembly R-200S, (Not a direct replacement; modifications required.)	----	140518				
24	Inspection door rubber gasket	84433	524211				



# Parts: MH-2636S Suction Cabinet

Obsolete 1982



Item	Description	Old PN	New PN
1	Media hose grommet	84482	523931
2	Air hose grommet	84481	523921
3	Media Hose, 5/8" x 62"	26281	521221
4	Mixing head assembly (See page G7 for P-190 & page A57 for MH-2.)	—	Call
5	Air hose with fittings, 1/2" x 75"	26442	521331
6	Dust-off hose grommet	84489	523951
7	Dust-off gun hose with fittings	28547	521461
8	Dust-off gun	82751	509821
9	Gauge	89461	550242
10	Pressure control	88505	517141
11	Solenoid valve, 1/2" NPT	88487	517911
12	Safety window, 14" x 22"	81482	510401
13	Window gasket	26511	524521
14	On/off Switch	85549	534511
15	Cabinet flange gasket	84431	524251
16	Return hose cabinet flange	87458	751301
17	Foot control	26130	510161
18	Return hose, 3" ID x 6'	84980	515941
19	Hose adjustable clamp	89613	520521
20	Door gasket, 1 1/2" x 1" (2' required) (Specify length.)	84411	523641
21	Loading door latch	81463	300016
22	Door latch keeper	87493	751242
23	Adjustable clamp	89617	520561
24	Rubber gloves (pair)	83400	509891
25	Door safety switch	26132	534551
26	Light fixture without globe	85430	532601
27	Electric transformer	85426	533011

Item	Description	Old PN	New PN
28	Fixture globe	85431	532621
29	Door gasket, 1" x 1" (6' required) (Specify length.)	84410	523651
30	Electric blower motor (1/3 HP, 115V/60Hz/single phase)	85901	549511
31	Impeller blade, 9" diameter	81612	753011
32	Inspection door rubber gasket	84433	524211
33	Reclaimer Assembly R-200S (Not a direct replacement; modifications required)	—	140518
34	Media regulator	25440	290156
35	Dust bucket	—	509611
36	Dust bag	83511	515541

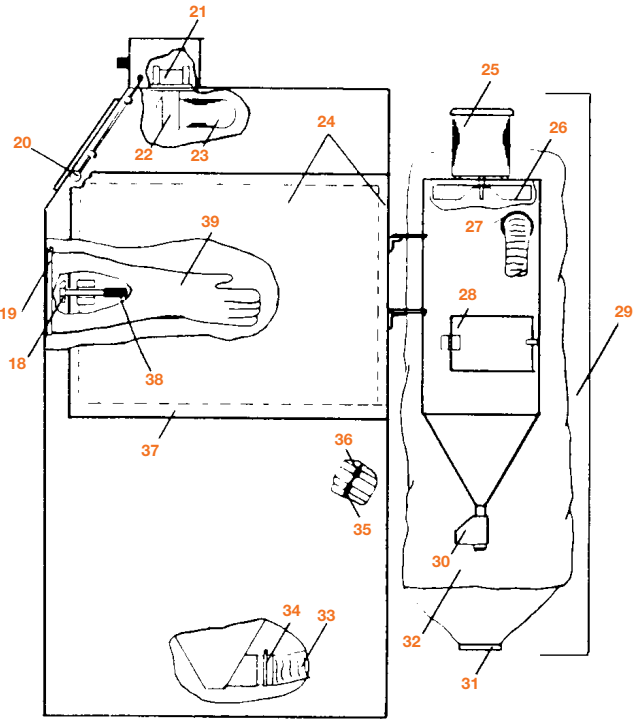
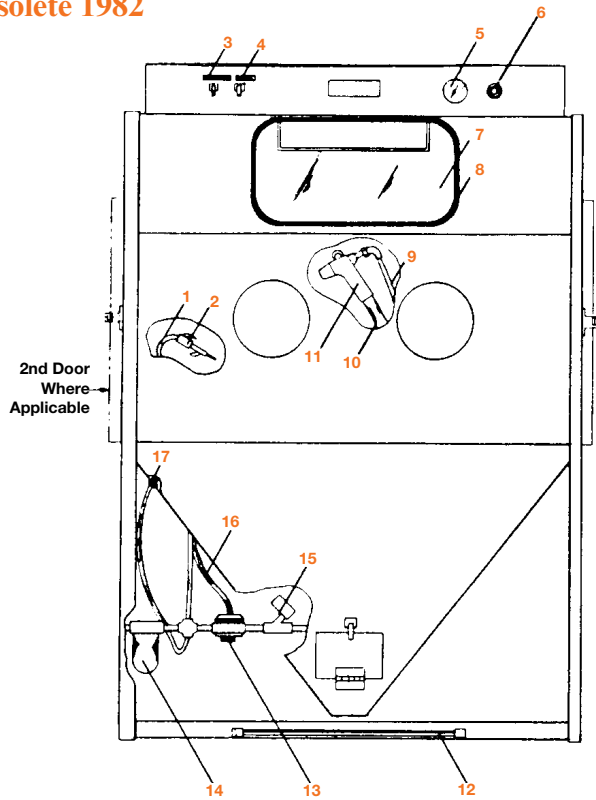
**(Not shown)**

- Perforated steel floor 27192 560081
- Adjustable clamp for dust bag 89614 520531
- Latch — 509581
- Reclaimer screen — 767571
- DCR-80 dust collector — 112100



# Parts: MH-3648S & MH-3040S Suction Cabinets

Obsolete 1982



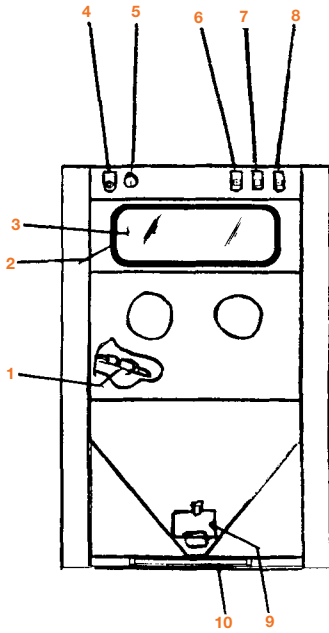
Item	Description	Old PN	New PN
1	Dust-off gun hose with fittings	28549	521471
2	Dust-off gun	82751	509821
3	Reclaimer switch	85480	534421
4	Light switch	85481	534441
5	Gauge	89465	550212
6	Pressure control	88506	517611
7	Safety window, 14" x 22"	81482	510401
8	Window gasket	26511	524521
9	Air hose with fittings (MH-3040S, 1/2" x 77")	26440	521331
	(MH-3648S & MH-3696S, 1/2" x 85")	26441	521341
10	Media hose (MH-3040S), 5/8" x 80"	26282	521231
	(MH-3648S), 5/8" x 80"	26283	521231
11	Mixing head assembly (See page G7 for P-190 & page A57 for MH-2.)	—	Call
12	Foot control	26130	510161
13	Pressure regulator, 1/2" NPT	88511	517621
14	Automatic filter, 1/2" NPT	82953	505301
	Automatic filter repair kit	82959	NA
15	Solenoid valve, 1/2" NPT	88487	517911
16	Dual line with fittings	28521	521401
17	Dust-off hose grommet	84489	523951
18	Door latch keeper	87493	751242
19	Adjustable clamp	89617	520561
20	Door safety switch	26132	534551
21	Electric transformer	85426	533011
22	Light fixture without globe	85430	532601
23	Fixture globe	85431	532621

Item	Description	Old PN	New PN
24	Door gasket, 1" x 1", upper side (MH-3648S & MH-3696S, 15") (MH-3040S, 7") (Specify length.)	84410	523651
25	Electric blower motor, 1 horse power 115V/60Hz/single phase	85903	549531
26	Impeller blade, 10 5/8" diameter	81613	753021
27	Hose adjustable clamp	89615	520541
28	Inspection door rubber gasket	84433	524211
29	Reclaimer assembly R-600S	Call	Call
30	Media regulator	25440	290156
31	Bag bottom closure clamp	89601	520461
32	Dust bag Adjustable clamp (not shown)	83512 89614	515841 520531
33	Return hose, 5" ID x 8'	84982	516111
34	Hose adjustable clamp	89615	520541
35	Media hose grommet, 5/8"	84482	523931
36	Air hose grommet, 1/2"	84481	523921
37	Door gasket, 1" x 1 1/2", lower side (MH-3648S & MH-3696S, 6") (MH-3040S, 3") (Specify length.)	84411	523641
38	Door latch	81463	300016
39	Rubber gloves (pair)	83400	509891
<b>(Not shown)</b>			
•	Perforated steel floor (Model 3040S)	81422	560121
	(Model 3648S)	81510	560111
•	DCR-80 dust collector	—	112100

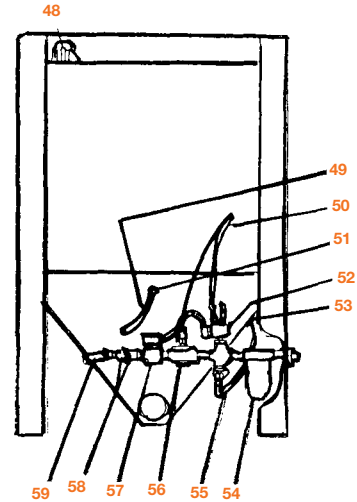
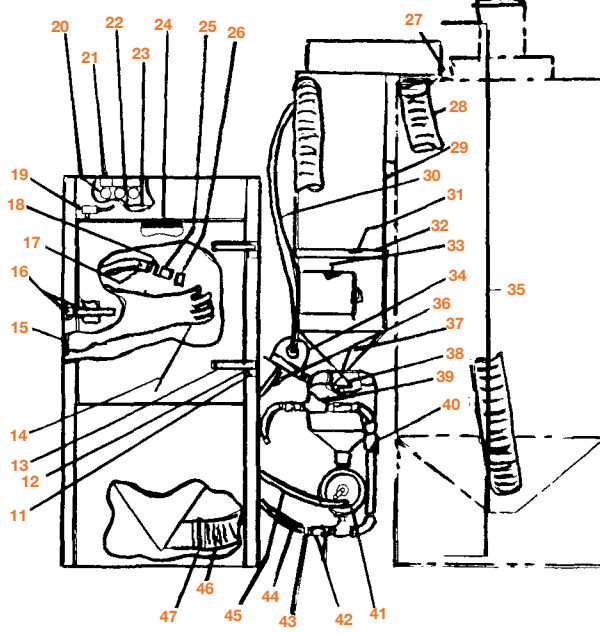


# Parts: ProBlast® Pressure Cabinets

## Obsolete 1982



## High Efficiency & Standard



## High Efficiency Reclaimer

Item	Description	Old PN	New PN	Item	Description	Old PN	New PN
1	Dust-off gun	82751	509821				
2	Window gasket	26512	524531		Light window (hinged cover to lights for PB-3648P, PB-3696P & PB-4848P)	NA	NA
3	Safety window, 12" x 30"	40883	509661		Light window (loose cover to lights for PB-3648 & PB-4848P)	41809	509651
4	Pressure regulator	88506	517611	22	Light window (hinged cover to lights for PB-6060P)	41289	NA
5	Pressure gauge	89465	550212		Light window (loose cover to lights for PB-6060P)	41808	509641
6	Light switch	85578	NA		Light window gasket (hinged cover to lights for PB-3648P, PB-3696P & PB-4848P)	26513	NA
7	Light system indicator	85577	NA	23	Light window gasket (loose cover to lights for PB-3648P, PB-3696P & PB-4848P)	26514	NA
8	Power switch	85579	NA		Light window gasket (loose cover to lights for PB-6060P)	26515	NA
9	Clean-out door gasket	84043	534301	24	Door gasket, (11' for PB-3648P, (13' for PB-4848P & 17" for PB-6060P)	84410	523651
10	Foot control	26130	510161		1/8" Di-Carb nozzle	14031	501272
11	Hinge block	41218	Call		3/16" Di-Carb nozzle	14032	501282
12	Hinge pin	94616	553022	25	1/4" Di-Carb nozzle	14033	501292
13	Upper hinge (PB-3648P, PB-3696P & PB-4848P)	41219	Call		1/8" Boron carbide nozzle	14036	502022
	Upper hinge (PB-6060P)	41220	Call		3/16" Boron carbide nozzle	14037	502032
14	One-piece glove/gauntlet, complete Gauntlets, pair, elliptical part (not shown)	83400	509891		1/4" Boron carbide nozzle	14038	502042
		83410	509893	26	Nozzle adapter (all nozzles)	80709	504912
15	Adjustable clamp for elliptical gauntlets	NA	NA		Adjustable clamp	89616	520551
	Adjustable clamp for round gauntlets	89617	520561	27	Adjustable Clamp for PB-3648P, PB-3696P & PB-4848P	89617	520561
16	Door latch and keeper assembly	—	300016		Dust hose, 6" ID x 10' (all cabinets with standard reclaimer)	84981	516101
17	Nozzle coupling (all nozzles)	80932	505232		Dust hose, 8" ID x 8' for PB-3648P, PB-3696P & PB-4848P with high-efficiency reclaimer	84987	515651
18	Nozzle washer	14115	524052	28	Dust hose, 9" ID x 10' for PB-6060P with high-efficiency reclaimer	84991	515681
19	Door safety switch	85576	534521				
20	Fluorescent tube (PB-3648P, PB-3696P & PB-4848P)	85582	532661				
	Fluorescent tube (PB-6060P)	85588	NA				
21	Light fixture (PB-3648P, PB-3696P & PB-4848P)	85581	532651				
	Light fixture (PB-6060P)	85587	NA				





## Parts: ProBlast® Pressure Cabinets

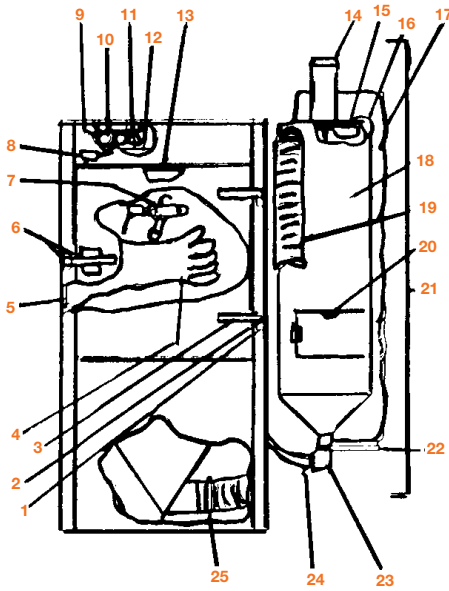
Item	Description	Old PN	New PN
29	Reclaimer shell	Call	Call
30	Exhaust hose with fittings	26276	521171
31	Tuning band gasket for high-efficiency PB-3648P, PB-3696P & PB-4848P	84040	524661
32	Tuning band for high-efficiency PB-3648P, PB-3696P & PB-4848P	86179	510611
33	Inspection door rubber gasket for PB-3648P, PB-3696P & PB-4848P	84433	524211
	Inspection door rubber gasket for PB-6060P	84406	524701
34	Exhaust valve assembly	28340	290182
35	Reclaimer assembly	Call	Call
36	Control hose with fittings (exhaust valve)	28550	521481
37	Sealing "O" valve	84486	523942
38	Sealing valve	87412	751312
39	Check valve	88441	517503
40	Choke valve	88433	518492
41	Media regulator assembly	—	290383
42	Tank coupling	80912	505782
43	Nozzle coupling (all nozzles)	80932	505232
44	Media hose with fittings for PB-3648P & PB-3696P, ½" x 12"	26289	521251
	Media hose with fittings for PB-6060P & PB-4848P, ½" x 16'	26277	521251
45	Control hose w/ fittings (media regulator)	28550	521481
46	Return hose, 6" ID x 10' (all cabinets)	84983	516101
47	Adjustable clamp	89616	520551
48	Choke valve	88433	518492
49	Media hose with fittings for PB-3648P & PB-3696P, ½" x 12'	26289	521251
	Media hose with fittings for PB-6060P & PB-4848P, ½" x 16'	26277	521251
50	Dual line with fittings for PB-3648P & PB-3696P	28521	521401
	Dual line with fittings for PB-4848P	28523	521421
	Dual line with fittings for PB-6060P	28524	Call
51	Media hose grommet	84482	523931
52	Exhaust solenoid valve (4 way)	88489	517181
53	Dust-off hose grommet	84483	524431
54	Automatic filter, 1" NPT	82926	504562
55	Dust-off gun hose with fittings	28549	521471
56	Pressure regulator, 1" NPT	88512	517631
57	Blast solenoid valve, 1" NPT	88488	517931
58	Tank coupling	80912	505782
59	Air hose with fittings	26448	521381
<b>(Not shown)</b>			
	Electric transformer	85427	533061
	Pressure vessel	—	Call
	Channel for tape switch	—	510171
	DCM-200A (230V/60Hz/single phase)	—	113001



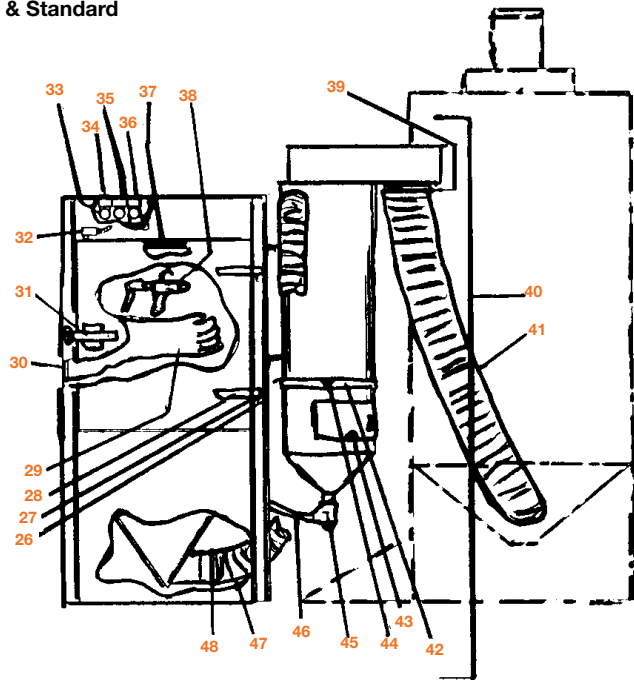
# Parts: ProBlast® Suction Cabinets

## Obsolete 1982

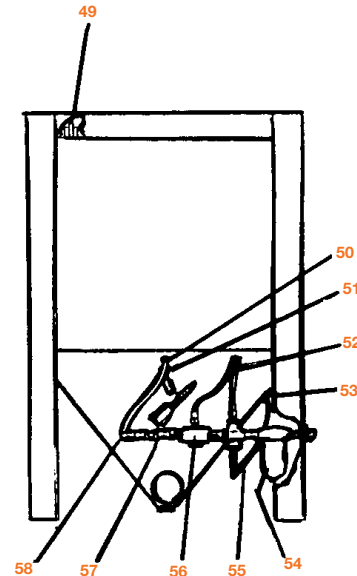
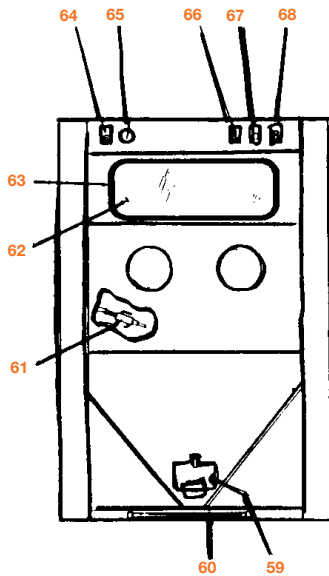
## High Efficiency & Standard



Standard Reclaimer



High Efficiency Reclaimer



Item	Description	Old PN	New PN
1	Hinge block	NA	NA
2	Hinge pin	94616	553022
3	Upper hinge (PB-6060S)	41220	Call
4	One-piece glove/gauntlet, complete replacement	53400	509891
5	Adjustable clamp for gloves	59617	520561
6	Latch & keeper assembly	—	300016
7	Mixing head assembly (See page G7 for P-190 & page A57 for MH-2.)	—	—
8	Door safety switch	85576	534521
9	Fluorescent tube (PB-3696S & PB-4848S)	85582	532661
	Fluorescent tube (PB-6060S)	85588	NA

Item	Description	Old PN	New PN
10	Light fixture (PB-3648S, PB-3696S & PB-4848S)	85581	532651
	Light fixture (PB-6060S)	85587	NA
11	Light window, loose (PB-3648 & PB-4848S)	41809	509651
	Light window, hinged (PB-6060S)	41289	509181
	Light window, loose (PB-6060S)	41808	509641



# Parts: ProBlast® Suction Cabinets

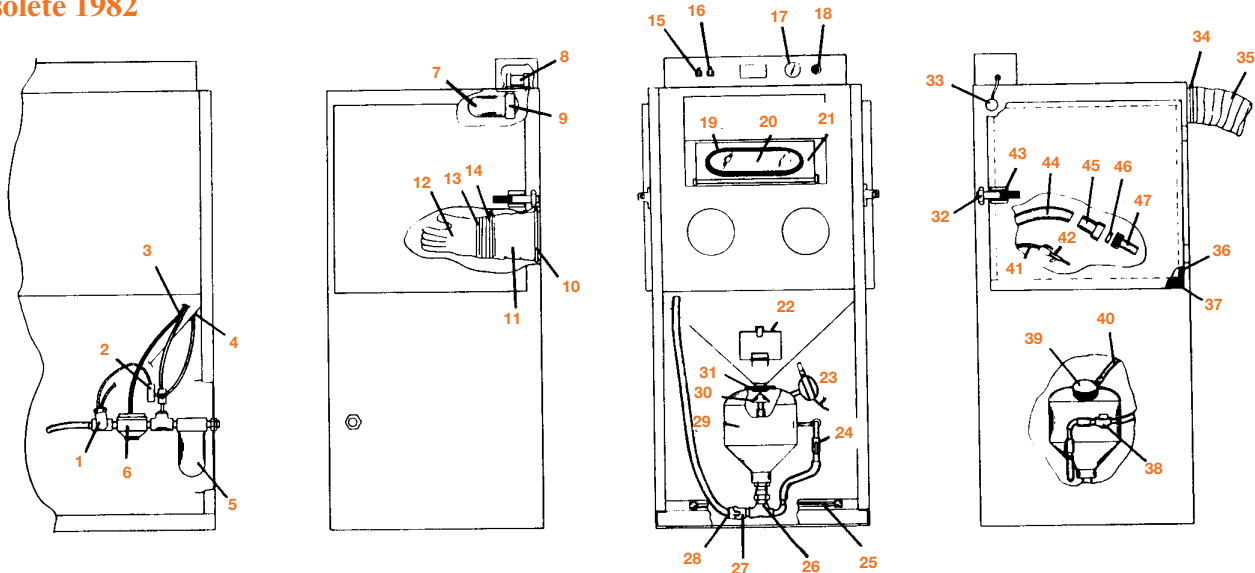
Item	Description	Old PN	New PN	Item	Description	Old PN	New PN
	Light window gasket (loose cover to lights) PB-3648S, PB-3696S & PB-4848S	26514	524551		Tuning band (PB-3648S)	-----	510601
12	Light window gasket (hinged cover to lights) PB-6060S	26513	NA	42	Tuning band (PB-4848S), high-efficiency reclaimer	86179	510611
	Light window gasket (loose cover to lights) PB-6060S	26515	NA		Tuning band (PB-6060S)	-----	510621
13	Door gasket, 1" x (11' for PB-3648S), (13' for PB-4848S) & (17' for PB-6060S) (Specify length.)	84410	523651	43	(See item 20 on this page.)		
14	Electric blower motor, 1 HP, 3450 RPM	85903	549531	44	(See item 16 on this page.)		
15	Impeller blade, 10" diameter	81613	753021	45	Media regulator	25440	290156
16	Tuning band gasket for high-efficiency reclaimer (PB-3648S & PB-3696S) (PB-4848S)	84040 84041	524661 Call	46	(See item 24 on this page.)		
	(PB-6060S)	84042	Call	47	(See item 19 on this page.)		
17	Dust bag	83512	515841	48	(See item 25 on this page.)		
18	Reclaimer shell	NA	NA	49	Electric transformer	85426	533011
19	Return hose, 5" ID x 8' (PB-3648S & PB-3696S)	84982	516111	50	Air hose grommet	84481	523921
	Return hose, 6" ID x 10' (PB-4848S & PB-6060S)	84983	516101	51	Media hose grommet	84482	523931
20	Inspection door rubber gasket (PB-3648S, PB-3696S & PB-4848S) (PB-6060S)	84433 84406	524211 524701	52	Dual line with fittings (PB-3648S)	28521	521401
21	Rear assembly	Call	Call	52	Dual line with fittings (PB-4848S)	28523	521421
22	Bag bottom closure clamp	89601	520461		Dual line with fittings (PB-6060S)	28524	521421
23	Media regulator	25440	290156	53	(See item 13 on this page.)		
24	Media hose (PB-3648S & PB-3696S), 5/8" x 90"	26283	521241	54	Automatic filter, 1/2" NPT	82953	505301
	(PB-4848S), 5/8" x 105"	26278	522571		Automatic filter repair kit	82959	NA
	(PB-6060S), 5/8" x 192"	26279	Call	55	Dust-off gun hose with fittings	28549	521471
25	Adjustable clamp (PB-3648S & PB-3696S)	89615	520541	56	Pressure regulator	88511	517621
	(PB-4848S & PB-6060S)	89616	520551	57	Solenoid valve, 1/2" NPT	88487	517911
26	Hinge block	NA	NA		Air hose with fittings, 1/2" x 95"		
27	Hinge pin	94616	553022		(PB-3648S & PB-3696S)	26441	521341
28	Upper hinge (PB-6060S)	41220	Call	58	Air hose with fittings, 1/2" x 99"		
29	One-piece glove/gauntlet, complete replacement	53400	509891		(PB-4848S)	26443	521311
30	Adjustable clamp for gloves	59617	520561		Air hose with fittings, 1/2" x 132"		
31	Latch & keeper assembly	-----	300016		(PB-6060S)	26439	521321
32	Solenoid valve, 1/2" NPT	88487	517911	59	Clean-out door gasket	84043	534301
33	Fluorescent tube (PB-3696S & PB-4848S)	85582	532661	60	Electric foot control	26130	510161
	(PB-6060S)	85588	532681	61	Dust-off gun	82751	509821
34	Light fixture (PB-3648S, PB-3696S & PB-4848S)	85581	532651	62	Safety window, 12" x 30"	40883	509661
	(PB-6060S)	85587	532671	63	Window gasket	26512	524531
35	(See item 11 on previous page.)			64	Pressure regulator control, 1/4" NPT	88506	517611
36	(See item 12 on previous page.)			65	Pressure gauge	89465	550212
37	(See item 13 on this page.)			66	Light switch	85578	534591
38	(See item 7 on previous page.)			67	Indicator light system	85577	534581
39	Adjustable clamp (PB-3648S, PB-3696S & PB-4848S)	89617	520561	68	Power switch	85579	534601
	(PB-6060S)	89618	520571		(Not shown)		
40	High-efficiency reclaimer assembly	Call	Call		Dust-off hose	84483	524431
41	Dust hose, 8" x 10' (PB-3648S, PB-3696S & PB-4848S)	84987	515651		Adjustable clamp for PB-3648S & PB-3696S dust bag	89614	520531
	Dust hose, 9" x 10' (PB-6060S)	84991	515681				

- DCM-80A (115V/60Hz/single phase) used on: PB-3696S (2 required), PB-4848S, PB-3648S
- DCM-200A (230V/60Hz/single phase) used on: PB-3696S (1 required), PB-6060S



# Parts: CAB-3636P Abrasive Cabinet

Obsolete 1982



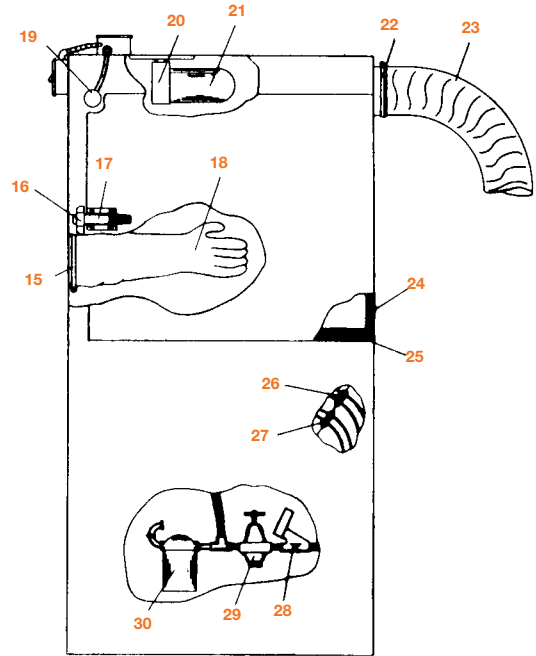
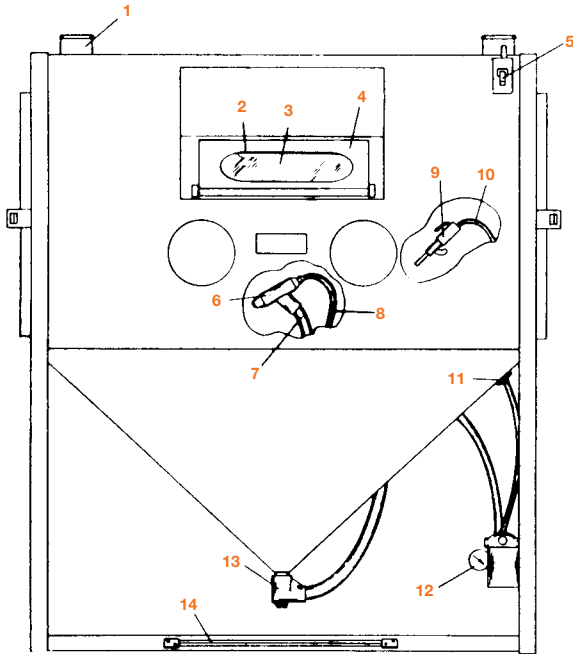
Item	Description	Old PN	New PN
1	Solenoid valve, 1" NPT	88488	517931
2	Exhaust solenoid valve	88483	517201
3	Dual line hose with fittings	28521	521401
4	Dust-off hose grommet	84489	523951
5	Automatic drain filter, 1" NPT Filter repair kit	82926 82960	504562 505161
6	Pressure control, 1" NPT	88512	517631
7	Fixture globe	85431	532621
8	Electric transformer	85427	533061
9	Light fixture, complete	85430	532601
10	Adjustable clamp	89617	520561
11	Gauntlets (pair)	83410	509893
12	Rubber gloves (pair)	83402	509893
13	Glove ring	81477	509601
14	Adjustable clamp	89614	520531
15	On/off switch	85480	534421
16	Light switch	85481	534441
17	Gauge	89465	550212
18	Pressure control	88506	517611
19	Window gasket	26670	524751
20	Safety window, 7" x 19" Window protective screen Window plastic protector, 7" x 19"	81481 81578 83901	509621 504291 509681
21	Window frame with hinges	87440	751331
22	Clean-out door gasket	84432	524181
23	Control hose with fittings	28544	Call
24	Choke valve	88433	518492
25	Foot control	26130	510161
26	Media regulator	—	290158
27	Tank coupling	14092	753262
28	Media hose coupling	14082	751062
29	Pressure pot	Call	Call
30	Sealing valve	87412	751312
31	"O" ring	84486	523942
32	Door latch keeper	87493	751242
33	Door safety switch	26132	534551

Item	Description	Old PN	New PN
34	Adjustable clamp	89616	520551
35	Return hose, 6" x 10'	84983	516101
36	Door gasket, 1" x 1" (8' required) (Specify length.)	84410	523651
37	Door gasket, 1½" x 1" (3' required) (Specify length.)	84411	523641
38	Check valve	88441	517503
39	Exhaust valve assembly	28340	290182
40	Exhaust hose with fittings	11146	521501
41	Dust-off gun hose with fittings	28549	521471
42	Dust-off gun	82751	509821
43	Door latch	81463	300016
44	Media hose, ¾" ID x 10'	11128	521521
45	Nozzle coupling	14098	753212
46	Nozzle washers (box of 10)	14114	524062
47	¾" Boron carbide nozzle ¼" Boron carbide nozzle	80523 80524	502142 502152



# Parts: CAB-3660S Abrasive Cabinet

Obsolete 1982



Item	Description	Old PN	New PN
1	Electric transformer	85426	533011
2	Window gasket	26670	524751
3	Safety window, 7" x 19"	81481	509621
	Window screen	81578	504291
	Plastic protector	83901	509681
4	Window frame with hinges	87440	751331
5	On/off switch	85480	534421
6	Mixing head assembly (See page G7 for P-190 & page A57 for MH-2.)	—	—
7	Media hose, 5/8" x 140"	26285	522601
8	Air hose, 1/2" x 120"	26443	521311
9	Dust-off gun	82751	509821
10	Dust-off gun hose with fittings	28549	521471
11	Dust-off hose grommet	84489	523951
12	Gauge	89461	550242
13	Media regulator	25440	290156
14	Foot control	26130	510161
15	Adjustable clamp	89617	520561
16	Door latch keeper	87493	751242
17	Door latch	81463	300016
18	Gloves	83400	509891
19	Door safety switch	26132	534551
20	Light fixture assembly	85430	532601
21	Fixture globe	85431	532621
22	Adjustable clamp	89616	520551
23	Dust hose, 6" x 10'	84983	516101
24	Door gasket, 1" x 1" (8' required) (Specify length.)	84410	523651
25	Door gasket, 1" x 1 1/2" (3' required) (Specify length.)	84411	523641

Item	Description	Old PN	New PN
26	Air hose grommet	84481	523921
27	Media hose grommet	84482	523931
28	Solenoid valve	88487	517911
29	Pressure control	88505	517141
30	Automatic drain filter, 1/2" NPT	82976	504652

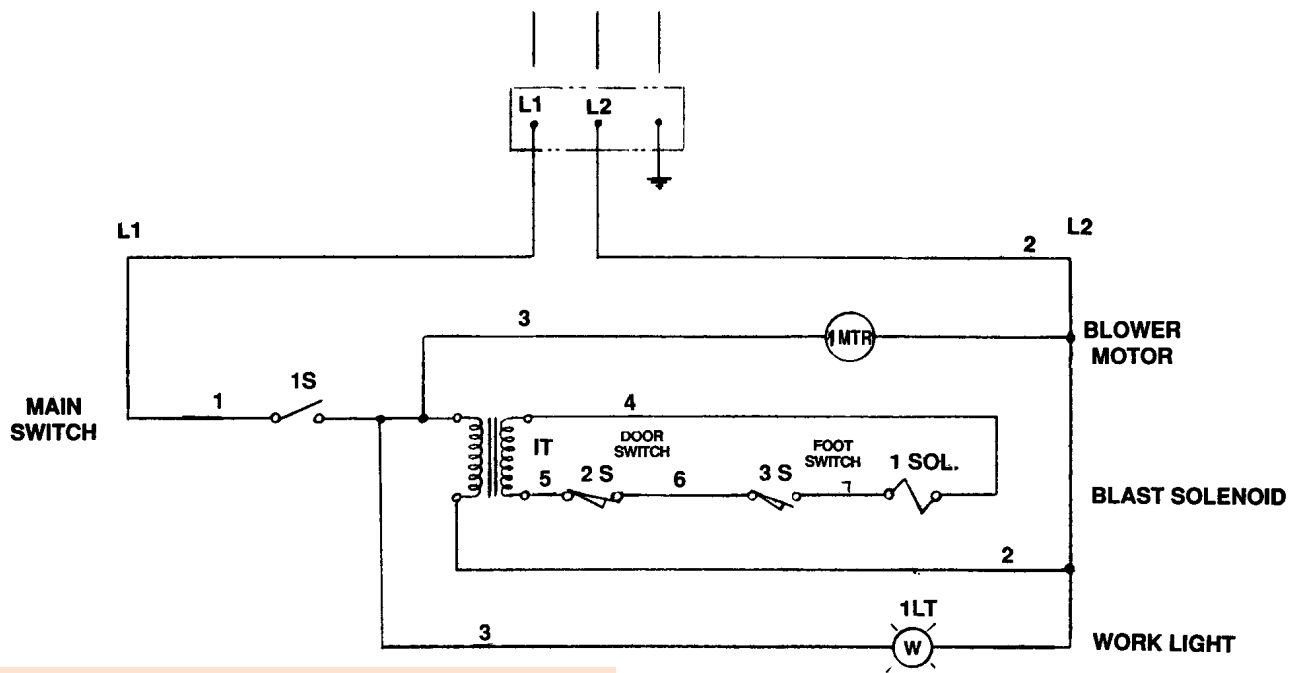


# Parts: Electrical Components for Models: MH-2030S, MH-2636S, CAB-3660S

Obsolete 1982

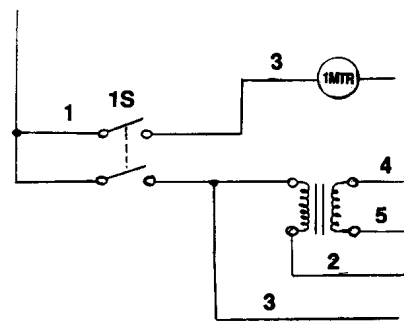
Description	Old PN	New PN
1/3 HP Motor (115V/60Hz/single phase)	85901	549511
Light bulb, 150W/120V	85421	Call
Transformer, 115V/24V/40 VA	85426	533011
Toggle switch rated 3/4 HP @ 115V CSA	85549	534511
Detector cell (wafer switch)	26132	534551
Tape switch (ribbon type)	26130	510161
1/8" - 2 way N.C. Solenoid valve, (24V/60Hz/alternating current)	88487	517911

**Motor and control require 14 gauge wire and 9 amps.**



Description	Old PN	New PN
1 HP Motor (115V/60Hz/single phase)	85901	549511
Light bulb, 150W/120V	85421	Call
Transformer, 115V/24V/40 VA	85426	533011
Toggle switch rated 1 HP @ 115V/20Amp CSA	85588	—
Detector cell (wafer switch)	26132	534551
Tape switch (ribbon type)	26130	510161
1/2" - 2 way N.C. Solenoid valve, (24V/60Hz/alternating current)	88487	517911

**Motor and control require 14 gauge wire and 12 amps.**

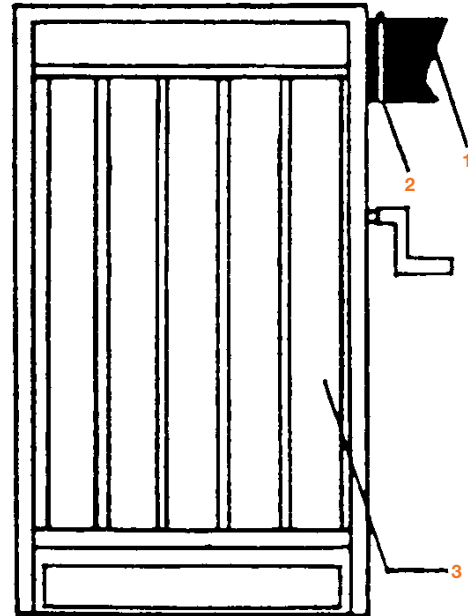


1 HP CIRCUIT



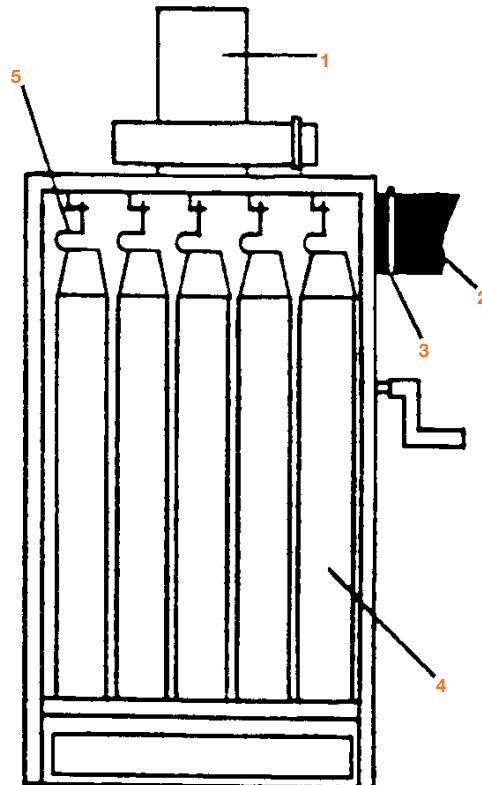
## Parts: Dust Collectors/DC-75 & DC-170

Item	Description	Old PN	New PN
1	Dust hose, 4" ID x 6'	11076	Call
	Dust hose, 6" ID x 8'	11077	Call
2	Adjustable clamp, 4" ID	11090	Call
	Adjustable clamp, 6" ID	11092	Call
3	Dust bag	11083	515971
<b>DC-75 required 12 bags.</b>			
<b>DC-170 required 30 bags.</b>			



## Parts: Dust Collectors/DC-65 & DC-210

Item	Description	Old PN	New PN
1	Electric blower (1/2 HP, 115V/60Hz/single phase)	11071	Call
	Electric blower (1 HP, 115V/60Hz/single phase)	11072	Call
2	Dust hose, 3" ID x 8'	11075	Call
	Dust hose, 6" ID x 10'	11078	Call
3	Adjustable clamp, 3" ID	11089	Call
	Adjustable clamp, 6" ID	11092	Call
4	Dust bag for DC-65 collector	11081	515961
	Dust bag for DC-210 collector	11082	515961
5	Bag hook for DC-65 and DC-210	11159	Call
<b>DC-65 required 12 bags.</b>			
<b>DC-210 required 30 bags.</b>			





# Parts: MH-1 Mixing Head/Suction Blast Gun

Item	Description	Old PN	New PN
•	Blast head with 3/8" Di-Carb nozzle	11161	505351
•	Blast head with 1/2" Di-Carb nozzle	11162	Call
•	Blast head with 3/8" boron carbide nozzle	11163	505371
•	Blast head with 3/8" boron carbide nozzle	11164	505381
1	Di-Carb nozzle, 3/8"	14019	501422
	Di-Carb nozzle, 1/2"	14021	501442
	Boron carbide nozzle, 3/8"	80526	502172
	Boron carbide nozzle, 1/2"	80526	502172
<i>(See Portables' Parts Book for more information on nozzles.)</i>			
2	Washers for DC3 nozzle (box of 10)	14114	524062
3	Body, aluminum	11165	751271
4	Air jet, 5/32" with "O" Ring	11167	504831
	Air jet, 7/32" with "O" Ring	11168	504841
5	Washers for CN3 nozzles (box of 10)	14117	524082
•	"O" Ring	84467	Call
6	Adapter for CN3 nozzles	80923	504942
7	Ceramic nozzle, 3/8"	80806	502392
<b>(Not shown)</b>			
	Swivel/barb, 1/2" thread x 1/2" hose	—	520402
	Screw pack, #8 x 3/8"	—	554242
<b>MH-1 uses 1 1/16" OD blast hose.</b>			

