



IL-885 Inline Cabinets

Section F: Table of Contents

Cabinet Models	F1
Options	F2
Parts	
Electrical Options	F4
Cabinet Assembly	F5
Electrical panels	F6
Blow-Off Assembly	F6
Reclaimers	F7
Dust Collectors	F8
Blowers (Fans & Motors)	F10
Ducting/Hoses	F11
Multi-Gun Assembly	F12
Pipe String	F12
Hopper	F13
Blast Guns	F13
Options Details	
Cabinets	F14
Dust Collectors	F15

Models: IL-885 Cabinets

MODEL DESCRIPTION	PART NUMBER	NUMBER OF BLAST GUNS	DUST COLLECTION	BLOWER MOTOR	SHIPPING WEIGHT
IL-885, 4 GUN, DCM	129001	4 standard	DCM-200	1½ hp	1886 lbs
IL-885, 4 GUN, CDC	129051	4 standard	CDC-6	1½ hp	2186 lbs
IL-885, 6 GUN, DCM	129101	6 standard	DCM-200A	2 hp	2006 lbs
IL-885, 6 GUN, CDC	129151	6 standard	CDC-9	2 hp	2126 lbs
IL-885, 6 GUN, DCM	129201	6 standard	DCM-200B	5 hp	2106 lbs
IL-885, 6 GUN, CDC	129251	6 standard	CDC-12	5 hp	2226 lbs

Never use silica sand in any Empire equipment.



Options: IL-885 Cabinets

IL-885 Cabinets (600, 900 and 1200 CFM)

FACTORY INSTALLED	CUSTOMER INSTALLED	SEE PAGE
----------------------	-----------------------	-------------

Three-Phase Electrical Options (600 CFM)

Single Source:

208 Volt, 60 Hertz	139300	NA	F4
230 Volt, 60 Hertz	139301	NA	F4
460 Volt, 60 Hertz	139302	NA	F4
575 Volt, 60 Hertz	139303	NA	F4
380 Volt, 50 Hertz	139304	NA	F4

Three-Phase Electrical Options (900 CFM)

Single Source:

208 Volt, 60 Hertz	139305	NA	F4
230 Volt, 60 Hertz	139306	NA	F4
460 Volt, 60 Hertz	139307	NA	F4
575 Volt, 60 Hertz	139308	NA	F4
380 Volt, 50 Hertz	139309	NA	F4

Three-Phase Electrical Options (1200 CFM)

Single Source:

208 Volt, 60 Hertz	139310	NA	F4
230 Volt, 60 Hertz (Standard)	139311	NA	F4
460 Volt, 60 Hertz	139312	NA	F4
575 Volt, 60 Hertz	139313	NA	F4
380 Volt, 50 Hertz	139314	NA	F4

Cabinet Extended-Wear Options

Conveyor belt, heavy duty, ultrawear	600160	600160	F14
Conveying hose, heavy duty, 4" x 15', 600 CFM	140613	140611	—
Conveying hose, heavy duty, 6" x 15', 900 & 1200 CFM	140614	140612	—
Curtain assembly, 1/8", rear wall, cone, new style	141732	141732	—
Window protector, plastic	509191	509191	F14
Window protector, screen	509201	509201	F14

Reclaimer Extended-Wear Options (600 CFM)

Ultrawear lining	526183	N/A	F7
Urethane spray lining	525861	N/A	F7
Wear plate	514481	514511	F7

Reclaimer Extended-Wear Options (900 & 1200 CFM)

Ultrawear lining	526193	N/A	F7
Urethane spray lining	525891	N/A	F7
Wear plate	514491	514521	F7

Cabinet Options

Magnetic separator	511572	511572	F14
Safety matting (specify length)	509002	509002	F14
Vibrating reclaimer screen assembly	140335	140419	F14

continued on next page



Options: IL-885 Cabinets

IL-885 Cabinets—continued

	FACTORY INSTALLED	CUSTOMER INSTALLED	SEE PAGE
Dust Collector Options for DCM-200 (600 CFM)			
Bag shaker, automatic electric, 115 volts	140340	140390	F15
Bag shaker, automatic pneumatic	140683	140684	F15
HEPA filter	140215	140215	F15
HEPA filter, pressure differential gauge assembly	140221	140221	F15
Leg extension kit	140180	140180	F15
Lid assembly for 55 gallon drum	140255	140255	F15
Manometer	140344	140398	F15
Sound attenuator/damper	140361	140361	F15
Dust Collector Options for CDC-6 (600 CFM)			
HEPA filter	140215	140215	F16
HEPA filter, pressure differential gauge assembly	140221	140221	F16
Photohelic cartridge cleaning, automatic pulse	140900	140900	F16
Leg extension kit	140185	140185	F16
Lid assembly for 55 gallon drum	140155	140155	F16
Sound attenuator/damper	140361	140361	F16
Dust Collector Options for DCM-200A (900 CFM)			
Bag shaker, automatic electric, 115 volts	140340	140390	F15
Bag shaker, automatic pneumatic	140683	140684	F15
HEPA filter	140215	140215	F15
HEPA filter, pressure differential gauge assembly	140221	140221	F15
Leg extension kit	140180	140180	F15
Lid assembly for 55 gallon drum	140255	140255	F15
Manometer	140344	140398	F15
Sound attenuator/damper	140769	140769	F15
Dust Collector Options for CDC-9/12 (900 and 1200 CFM)			
HEPA filter	140215	140215	F16
HEPA filter, pressure differential gauge assembly	140221	140221	F16
Photohelic cartridge cleaning, automatic pulse	140900	140900	F16
Leg extension kit	140185	140185	F16
Lid assembly for 55 gallon drum	140155	140155	F16
Sound attenuator/damper, 900 CFM only	140769	140769	F16
Sound attenuator/damper, 1200 CFM only	140680	140680	F16
Dust Collector Options for DCM-200B (1200 CFM)			
Bag shaker, automatic electric, 115 volts	140340	140390	F15
Bag shaker, automatic pneumatic	140683	140684	F15
HEPA filter	140215	140215	F15
HEPA filter, pressure differential gauge assembly	140221	140221	F15
Leg extension kit	140180	140180	F15
Lid assembly for 55 gallon drum	140255	140255	F15
Manometer	140344	140398	F15
Sound attenuator/damper	140680	140680	F15





IL-885 Parts

IL-885 Electrical Options

Electrical Requirements

IL-885 cabinets are wired to interface with the electrical sources described immediately below.

System Airflow	Horsepower	Nominal Voltage/Frequency
600 CFM	1½ hp	230V/60Hz/1Ph (3 wire)
900 CFM	2 hp	230V/60Hz/1Ph (3 wire)
1,200 CFM	5 hp	230-460V/50* -60Hz/3Ph (3 wire)

* 50 Hertz systems with reclaimers may not convey heavier media, especially when using multiple guns, large nozzles and at high altitudes. Consult factory.

IMPORTANT! Systems must be wired at the factory to match the customer's electrical supply. If the electrical supply at the installation site differs from those listed above, specify the appropriate part number(s) shown below.

Three-Phase Options

Three-phase electrical options are available for all systems.

Part Numbers for Three-Phase Options

NOMINAL VOLTAGE/FREQUENCY	208V/60Hz	230V/60Hz	460V/60Hz	575V/60Hz	380V/50Hz*
600 CFM/1½ Horsepower	139300	139301	139302	139303	139304
900 CFM/2 Horsepower	139305	139306	139307	139308	139309
1200 CFM/5 Horsepower	139310	139311	139312	139313	139314

* 50 Hertz systems with reclaimers may not convey heavier media, especially when using multiple guns, large nozzles and at high altitudes. Consult factory.

Single-Phase Options

For single-phase electrical options, consult factory.

NOTES on Electrical Components

- Interconnections between cabinet, dust collector and customer's utilities are to be supplied by installer.
- Electrical components cannot be returned to the factory for exchange.
- 50 Hertz systems with reclaimers may not convey heavier media, especially when using multiple guns, large nozzles, and at high altitudes. Consult factory.
- All three-phase systems are **three wire** (three-phase conductors and a ground).
- Consult factory for other electrical options, for conformance with customer electrical specifications, or if you have questions.

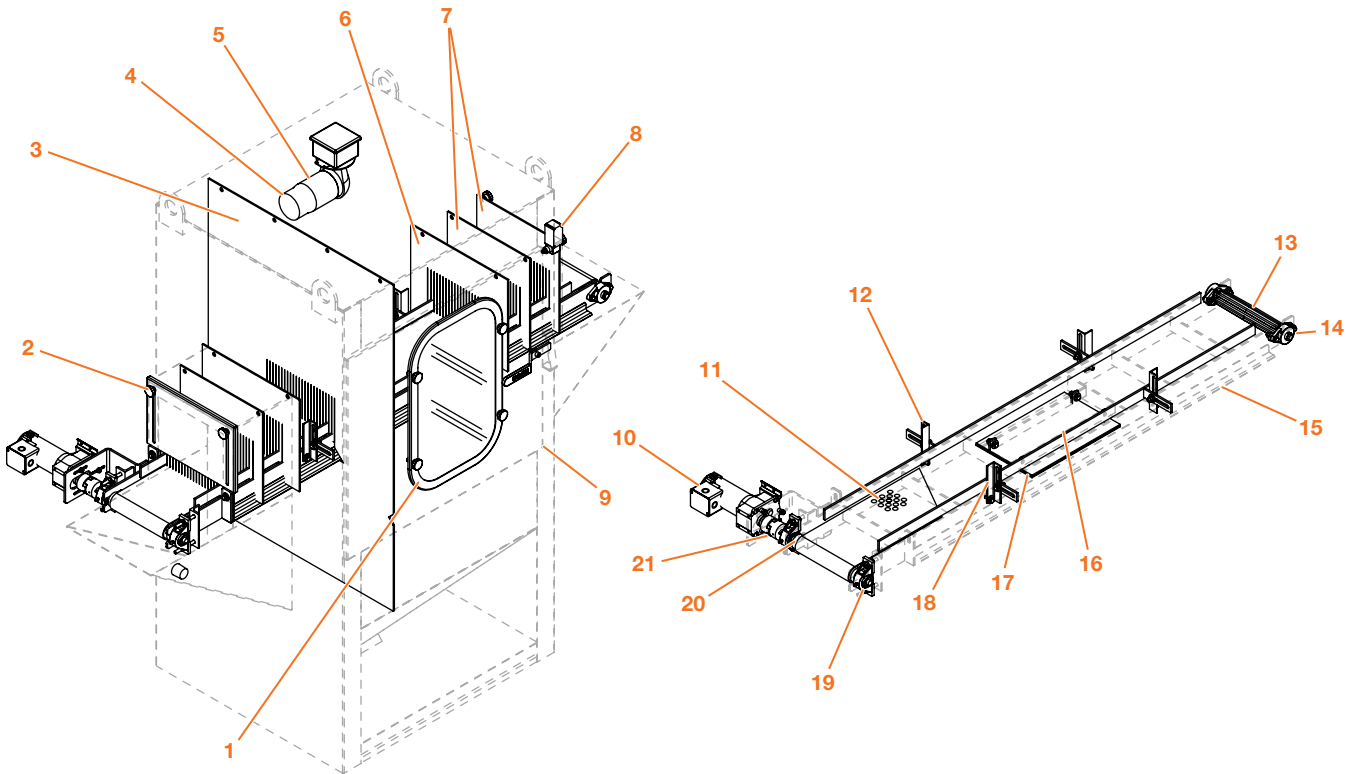
See Operating Instructions for Proper Electrical Connection

Electrical connection at installation should be performed by a competent licensed electrician following local codes, standard safety procedures and proper installation instructions.

Never use silica sand in any Empire equipment.

Parts: IL-885 Cabinet Assembly

Guide to Part Numbers



Item	IL-885 CABINET COMPONENTS Description	PART NUMBER
*Δ	Safety glass, 14" x 22"	510401
	Knob, 3/8" - 16 (4 required)	510461
	Frame, window	760291
1	Gasket, window, 6' section	523551
	Gasket, window (Specify length.)	525941
	Spacer, window (4 required)	525931
	Bolt, 3/8" - 16 x 1 1/4" (4 required)	551852
	Window kit (includes items listed above)	140544
2	Knob	510462
3	Curtain divider, old style, 23 1/2" wide	580311
	Curtain divider, new style, 31 1/2" wide	588512
4	Globe	532631
	Protective screen	770060
5	Lamp	532591
6 *	Inner curtain, old style, 16" wide (2 required)	580331
	Inner curtain, new style, 16 1/2" wide (2 required)	588531
7 *	Outer & middle curtain, old, 13 1/2" (4 required)	580321
	Outer & middle curtain, new, 14" (4 required)	588521
8	Limit switch	534333
9	Door gasket, 11 feet (Specify length.)	524441
10 *	Gear motor, 90 volt DC	549454
11 *	Conveyor belt, standard	600161
12	Left-rail support	773251
13	Entrance pulley, crowned, winged	571551

Item	Description	PART NUMBER
14 *	Bearing, two-bolt flange (2 required)	571531
15	Conveyor frame	773231
16	Guide rails	773271
17 *	Blast plate	773241
18	Right-rail support (2 required)	773261
19 *	Bearing, pillow block	571541
20	Exit pulley, crowned, plain	Call
21	Two-piece coupling	Call

PARTS NOT SHOWN IN DRAWINGS

	Instruction/Warning label	567391
	Empire logo	564305
	Decal, orange-dot strip (specify length)	566491
	Blow-off assembly	Page F6

* Recommended spare part—Consumable wear item

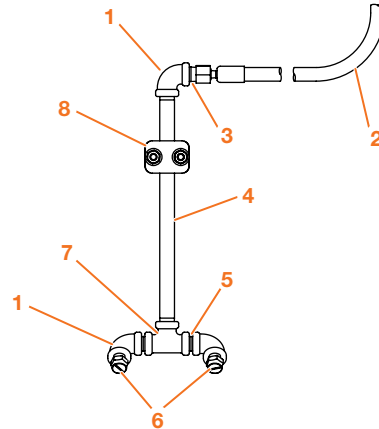
† Essential component to prevent downtime

Δ Failure to replace glass with Empire safety glass could result in serious injury.

Parts: IL-885 Blow-off Assembly

Guide to Part Numbers

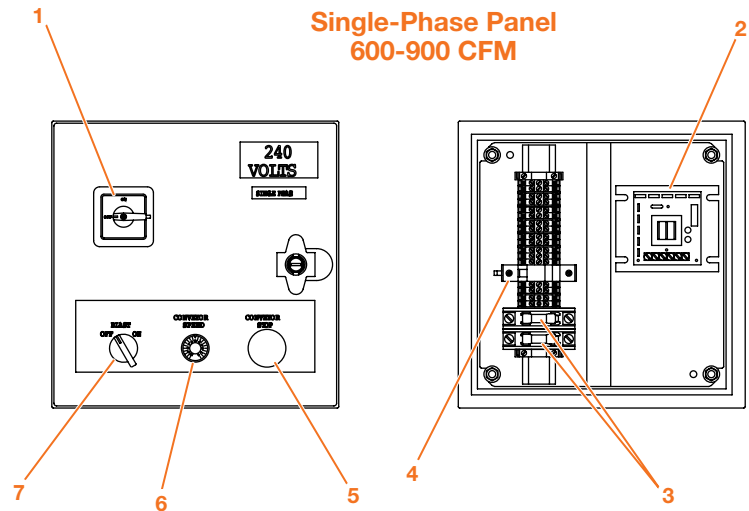
Item	IL-885 BLOW-OFF COMPONENTS Description	PART NUMBER
1	Elbow	543712
2	Air hose, 1/4" (Specify length.)	520851
3	Connector, brass 1/4" MPT x 1/4" ball	520222
4	Pipe nipple, 1/4" x 9" long	549321
5	Pipe nipple, 1/4"	545912
6	Blow-off nozzle (2 required)	503503
7	Tee	545502
8	Pipe clamp	521931



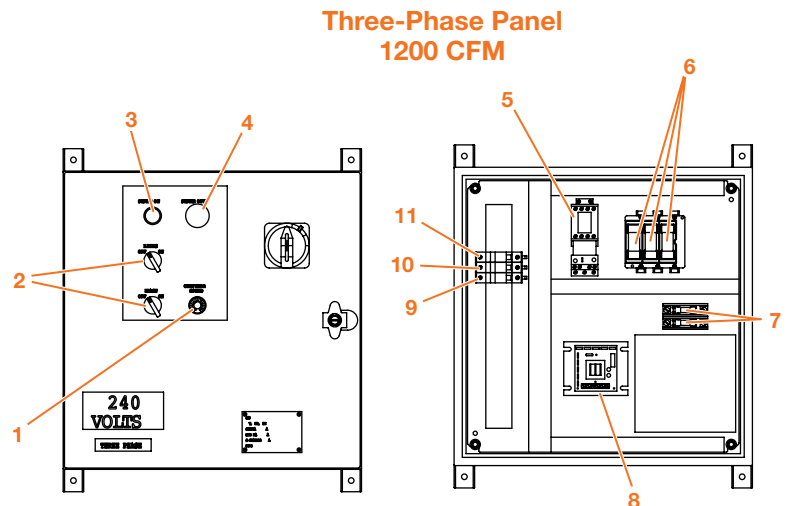
Parts: IL-885 Electrical Panels

Guide to Part Numbers

Item	IL-885 SINGLE-PHASE PANEL Description	PART NUMBER
1	Switch body, 40 amp	534921
	Actuator	534931
	Neutral terminal	533551
2	DC motor controller	535003
3	Fuse, 15 amp (2 required)	532441
4	Fuse, 2 amp	531921
5	Pushbutton operator, 2-position, RED	535912F
	Contact block, 1 N.C., 2-position	534961
6	Potentiometer operator/DC motor	534951F
7	Lever operator, 2-position	535930F



Item	IL-885 THREE-PHASE PANEL Description	PART NUMBER
<i>(Standard for Models 129201 & 129251)</i>		
1	Potentiometer operator, DC motor	534951F
2	Selector switch	535930F
3	Pushbutton, GREEN	535913F
4	Pushbutton, RED	535910F
5	Contactor	530702
	Overload relay	530902
	Auxiliary relay	531288
6	Fuse, bus (3 required)	532944
7	Fuse, bus (2 required)	532471
8	DC motor controller	535003
9	Fuse, FNM-3	531921
10	Fuse, BAF-2	532374
11	Fuse, BAF-1	532384



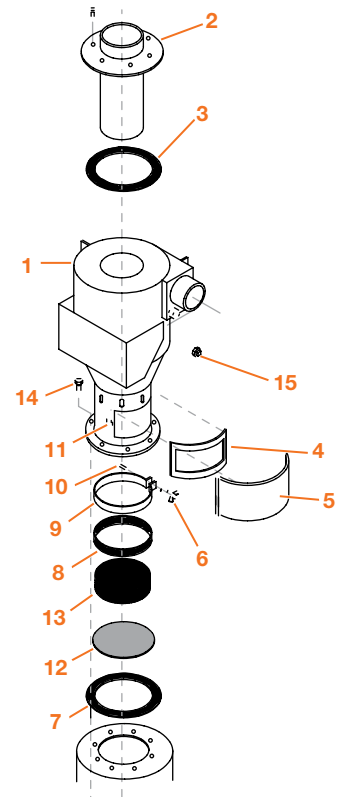


Parts: IL-885 Reclaimers

Guide to Part Numbers

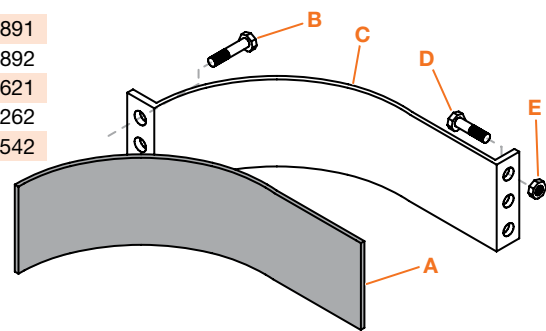
IL-885 RECLAIMER COMPONENTS

Airflow Capacity (CFM)		600	900 1200
Item	Description	PART NUMBER	
1	Reclaimer body assembly (includes items 1 through 13)	140440	140441
2 *	Removable top	766741	766751
3 †	Gasket, reclaimer to storage hopper and flange inlet	524371	524371
4 †	Gasket, reclaimer door	524331	524331
5	Door, reclaimer	760721	760721
6	Wing nut, 1/4" - 20	552392	552392
7 †	Gasket, reclaimer to storage hopper	524371	524371
8 †	Gasket, tuning band, solid	524342	524342
	Gasket, tuning band, with slots	524341	524341
9	Tuning band (steel part only), solid	767581	767581
	Tuning band (steel part only), with slots	760701	760701
10	Bolt, 1/4" - 20 x 2"	551782	551782
11	Latch & keeper (requires welding)	509581	509581
12	Screen, flat, 5/16", 13" OD	760711	760711
13	Screen, fine 11 1/2" OD, 8 mesh	739041	739041
14	Bolt, 3/8" - 16 x 1" (8 required)	551852	551852
15	Plug, 1" NPT	522611	522611



Reclaimer Options

	Ultrawear lining	526183	526193
	Urethane lining	525861	525891
Inlet wear plate (complete)			
	FACTORY INSTALLED	514481	514491
	CUSTOMER INSTALLED	514511	514521
Inlet wear plate (detail)			
A	Rubber band	524881	524891
B	Bolt, 3/8" - 16 x 2" (3 required)	553892	553892
C	Metal band	761611	761621
D	Bolt, 3/8" - 16 x 1 1/2" (3 required)	551262	551262
E	Nut, 3/8" - 16	552542	552542



* Recommended spare part—Consumable wear item

† Essential component to prevent downtime



Parts: IL-885 Dust Collectors, Bag House

Guide to Part Numbers

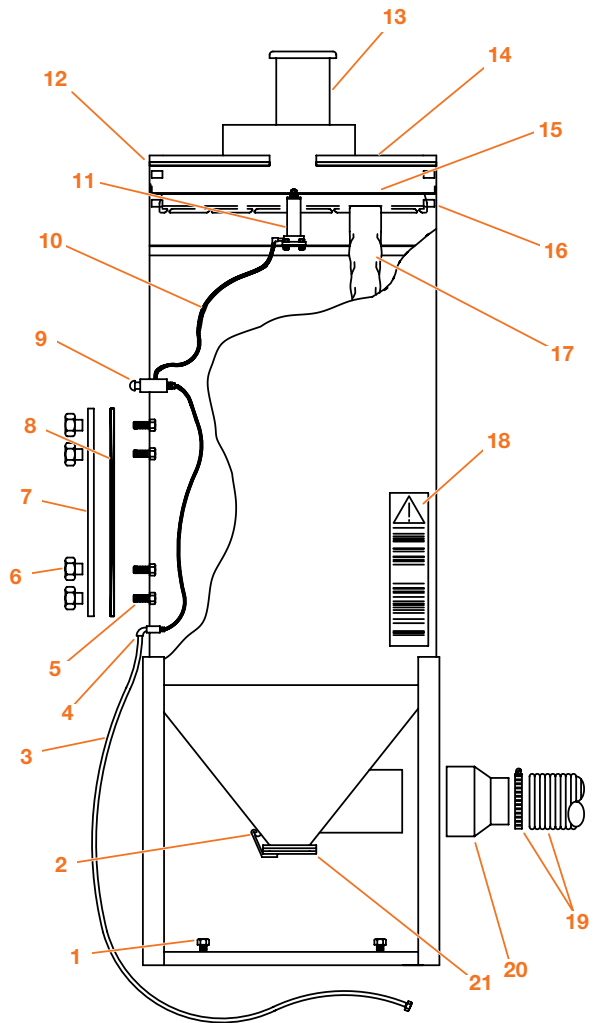
DCM-200 (PN 113000), DCM-200A (PN 113001) & DCM-200B (PN 113002)

“DCM” SERIES COMPONENTS

Item	Description	PART#
1	Bolt, leveling, 3/8" - 16 x 2" (4 required)	553892
2	Latch and keeper (requires welding)	509581
3	Hose with fittings, 1/4" x 16', dust collector	523161
4	Adapter, 1/4" tube x 1/4" MPT (inside) Connector, brass, 1/4" MPT x 1/4" BALL (outside)	521081 520222
5	Bolt, 3/8" - 16 x 1 1/4" (6 required)	551852
6	Knob, 3/8" - 16 (6 required)	510461
7	Access door, dust collector	760851
8 †	Gasket, access door, 5/8" x 5/8", 103" section Gasket, 5/8" x 5/8" (specify length)	525711 525061
9 †	Valve, push-button, 1/8" NPT & #10 - 32, "3P"	517221
9	Barbed fitting, 1/4" tube x #10 - 32, 2 per assembly	521101
10	Adapter, 1/4" tube x 1/8" MPT, 90° (for air cylinder)	520432
10	Tubing, 1/4" OD (8' required)	510541
11 †	Air cylinder, standard collector and auto shaker Air cylinder, auto-pneumatic bag shaker only	515981 515771
12 †	Gasket, top plate, 1/8" x 1/4" x 12'	523551
13	Blower & blower motors (See page F10.)	—
14	Top plate, DCM-200 & DCM-200A Top plate, DCM-200B	760901 760187
15	Bag-rack weldment (DCM-200A)	760921
16	Rubber bumper (8 required)	523541
17 *	Dust bag, cotton sateen (30 required)	515521
18	Decal, Instruction/Warning	567405
19	Ducting & adapters (See page F11.)	—
20	Adapter, 10 1/8" ID x 6" OD, DCM-200	761801
21 †	Gasket, clean-out door, dust collector Decal, Empire logo Decal, orange dot strip Paint, 6 oz. aerosol, beige	524351 564305 564301 564476

* Recommended spare part—Consumable wear item

† Essential component to prevent downtime



Bag-House Dust Collector Options

Automatic bag shaker cleans bags thoroughly every time the system is turned off.

Electric shaker for all bag-house collectors

Pneumatic shaker for DCM-200, DCM-200A & DCM-200B

	PART NUMBERS		
	FACTORY INSTALLED	CUSTOMER INSTALLED	SEE PAGE

	140340	140390	F15
	140683	140684	Call

HEPA filter captures very fine particles.

	140215	140215	—
--	--------	--------	---

HEPA filter, pressure differential gauge assembly informs operator regarding filter cleanliness.

	140221	140221	—
--	--------	--------	---

Leg extension kit raises collector so larger collection drum can be placed underneath.

	140180	140180	—
--	--------	--------	---

Lid assembly for 55 gallon drum attaches securely to clean-out door.

	140155	140155	F15
--	--------	--------	-----

Manometer keeps operator informed regarding bag cleanliness.

	140344	140398	—
--	--------	--------	---

Sound attenuator/damper reduces noise in the work place.

Attenuator/damper for DCM-200

Attenuator/damper for DCM-200A

Attenuator/damper for DCM-200B

	140361	140361	—
	140769	140769	—
	140680	140680	—

SuperSmooth dust bags handle severe loading.

	516181	516181	—
--	--------	--------	---



Parts: IL-885 Dust Collectors, Cartridge

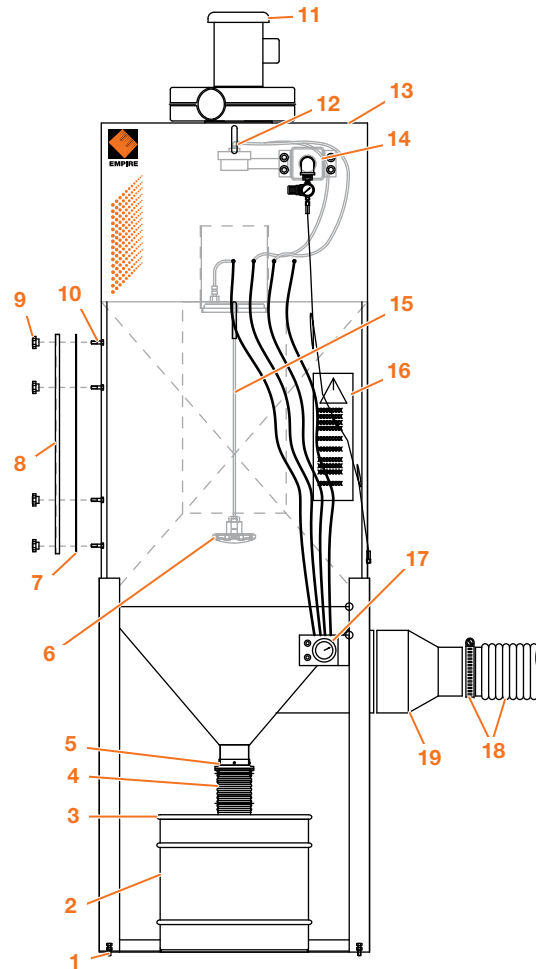
Guide to Part Numbers

For CDC-6 (PN 113007), CDC-9 (PN 113011) & CDC-12 (PN 113013)

"CDC" SERIES COMPONENTS		
Item	Description	PART#
1	Bolt, leveling, 3/8" - 16 x 2" (4 required)	553892
2	16 gallon drum	504016
3	Lid for 16 gallon drum	850099-1
	Gasket, dust drum lid, 5" (not shown)	800166
4	Dust hose, 4" (specify length)	522923
5	Hose clamp, 4" (2 required)	520531
	16 gallon drum assembly (includes items 2 through 5)	113015
6	Filter clamping screw	515526
7 †	Gasket, access door, 5/8" x 5/8", 103" section	525711
	Gasket, 5/8" x 5/8" (specify length)	525061
8	Access door, dust collector	760851
9	Knob, 3/8" - 16 (6 required)	510461
10	Bolt, 3/8" - 16 x 1 1/4" (6 required)	551852
	Empire logo	564305
11	Blower and blower motors (<i>See page F10.</i>)	—
12	Diaphragm valve (2 required)	516350
	Top plate, CDC-6	760901
13	Top plate, CDC-9	760901
	Top plate, CDC-12	760187
14	Air supply assembly	140851
15 *	Cartridge filter (2 required)	515525
16	Decal, Instruction/Warning	567405
17	Mini-Helic package	550450
18	Ducting and adapters (<i>See page F11.</i>)	—
19	Adapter, 10" ID x 6" OD for CDC-6	761801

* Recommended spare part—Consumable wear item

† Essential component to prevent downtime



Cartridge Dust Collector Options

	PART NUMBERS		
	FACTORY INSTALLED	CUSTOMER INSTALLED	SEE PAGE
HEPA filter captures very fine particles.	140215	140215	—
HEPA filter, pressure differential gauge assembly informs operator regarding filter cleanliness.	140221	140221	—
Leg extension kit raises collector so larger collection drum can be placed underneath.	140185	140185	—
Lid assembly for 55 gallon drum attaches securely to clean-out door.	140155	140155	F15
Photohelic cartridge cleaning improves system performance, saves operator time.	140900	140900	F16
Sound attenuator/damper reduces noise in the work place.			
Attenuator/damper for CDC-6	140361	140361	—
Attenuator/damper for CDC-9	140769	140769	—
Attenuator/damper for CDC-12	140680	140680	—



Parts: IL-885 Blowers (Fans & Motors)

Blower Assembly Part Numbers

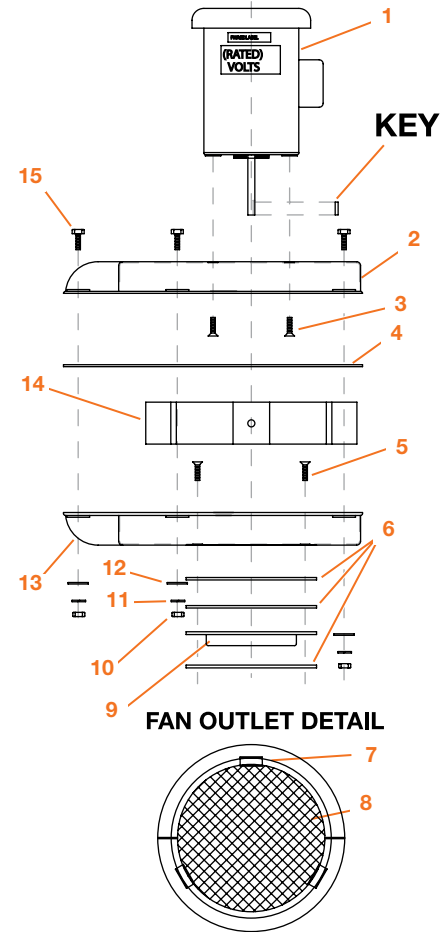
For Dust Collector Models	Horsepower	Part Number	Standard Electrical	CFM at 6" SP	Notes
DCM-200 & CDC-6	1½	140312	230/60/1	600	6" SP at 600 CFM
DCM-200A & CDC-9	2	140313	230/60/1	900	6" SP at 900 CFM
DCM-200B & CDC-12	5	140651	230/50-60/3	1200	10" SP at 1200 CFM

Note: Motor starters, contactors, interconnecting wiring and ducting not included.

Guide to Part Numbers

Item	BLOWER COMPONENTS Description	PART NUMBERS	
		1½ HP	2 HP
1 †	Motor, 115-230V, 60 Hz, Single phase	549681	549691
	Motor, 220-480V, 60 Hz, 3 phase	549721	549711
	Motor, 550-600V, 60 Hz, 3 phase	549741	549751
	Motor, 110-220V, 50 Hz, Single phase	549771	549781
Note: Motor part numbers shown in BOLD are supplied as standard most often.			
2	Housing, fan, top	753511	753515
3	Screw, flat head ⅜"-16 x 1"	553271	553271
4	Gasket, fan housing, ⅜" x ¼" (5' section)	523251	523251
5	Screw, flat head ⅜"-16 x 2¼" (dust collector)	553183	553183
6	Gasket, mounting (3 required)	524361	524361
7	Clip, fan guard (4 required)	554431	554431
8	Guard, fan outlet	739011	739025
9	Outlet flange	751501	—
10	Hex nut, ¼"-20	552522	552522
11	Lock washer, ¼"	552752	552752
12	Flat washer, ¼"	552882	552882
13	Housing, fan, bottom	753521	753525
14 †	Impeller (fan blade), 11½" dia., ⅝" ID	753661	—
	Impeller (fan blade), 12½" dia., ⅝" ID	—	753031
15	Bolt, ¼"-20 x 1"	552131	552131

† Essential component to prevent downtime



Five-Horsepower Blower Assemblies

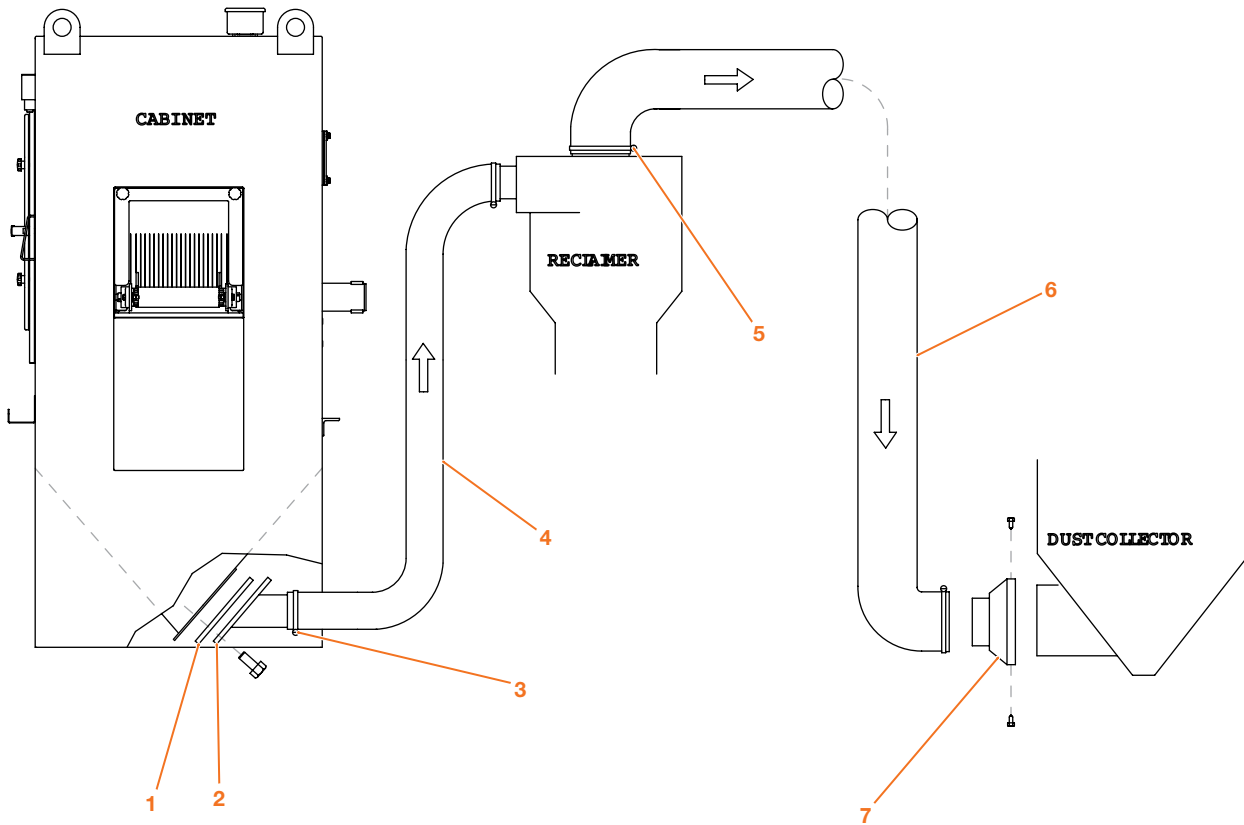
• Assembly, complete (230-460V, 60 Hz, 3 phase)	PN 549403
• Motor only (230-460V, 60 Hz, 3 phase)	PN 549963
• Impeller only, (old style) 14"	PN 753041
• Impeller only, (current) 16½"	PN 753051

Call for more information.



Parts: IL-885 Ducting, Hoses and Adapters

Guide to Part Numbers



RECLAIMER CAPACITY		600 CFM	900 CFM	1200 CFM
Item	Description	PART NUMBERS		
1	Gasket, cabinet outlet	524381	524381	NA
2	Outlet adapter, cabinet	760421	760431	NA
3	Hose clamp, standard duty conveying hose (Nominal hose diameter)	520531 (4")	520551 (6")	520551 (6")
	Hose clamp, heavy duty conveying hose (Nominal hose diameter)	522953 (4")	522963 (6")	522963 (6")
4	Conveying hose, standard duty, without clamps (I.D. x length)	522361 (4" x 10')	516101 (6" x 11')	516101 (6" x 11')
	Conveying hose, heavy duty, with clamps, factory upgrade ** (I.D. x length)	140613 (4" x 15')	140614 (6" x 15')	140614 (6" x 15')
	Conveying hose, heavy duty, with clamps, customer install (I.D. x length)	140611 (4" x 15')	140612 (6" x 15')	140612 (6" x 15')
	Conveying hose, 4" I.D., heavy duty to length (<i>Specify length</i>)	515911	515911	515911
	Conveying hose, 6" I.D., heavy duty to length (<i>Specify length</i>)	515921	515921	515921
5	Hose clamp, dust hose (Nominal hose diameter)	520551 (6")	522314 (10")	522314 (10")
6	Dust hose (I.D. x length)	516101 (6" x 11')	516999 (10" x 15')	516999 (10" x 15')
7	Adapter, dust hose, 6" O.D. x 10 1/8" I.D., DCM-200	761801	NA	NA

* Recommended spare part—Consumable wear item

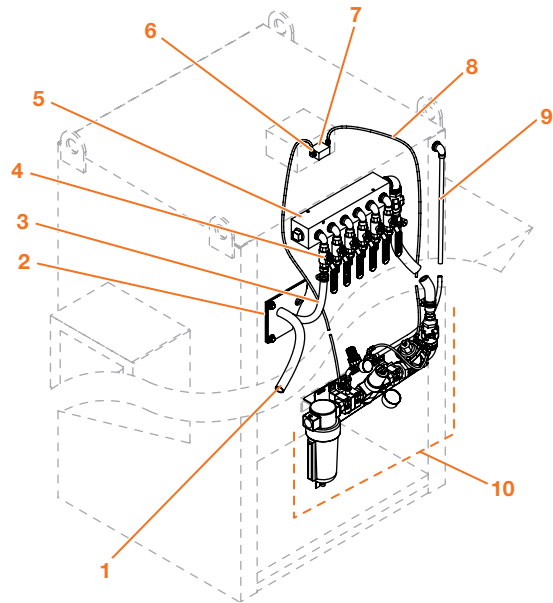
** Not to be ordered as replacement hose.



Parts: IL-885 Multi-Gun Assembly

Guide to Part Numbers

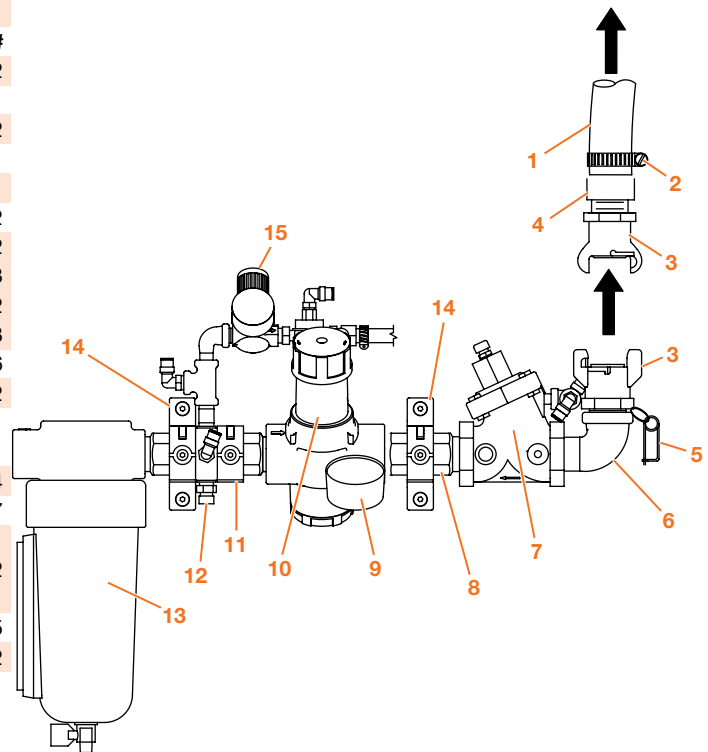
IL-885 MULTI-GUN COMPONENTS		
Item	Description	PART #
1	Blast hose, 5/8" (Specify length.)	520802
2	Gasket, hose entry	580341
3	Air hose, 1/2" (Specify length.)	520861
4	Ball valve, 1/2" non-bleed	518472
5	Manifold, 4 gun	504025
5	Manifold, 6 gun	504026
6	Adapter, 1/4" tube x 1/8" NPT 90°	520252
7	Interlock solenoid	519001
8	Tubing, 1/4"	510541
9	Air hose, 1/4" (Specify length.)	520851
10	Pipe string assembly (See details below.)	140070



Parts: IL-885 Pipe String

IL-885 PIPE STRING COMPONENTS		
Item	Description	PART #
1	Air hose, 1"	520912
2	Hose clamp, 1"	520501
3	Tank coupling, 1"	505782
4	Hose barb	520181
5	Safety pin	510511
6	Elbow, 1" NPT street	543542
7 †	Main valve, 1" Aquamatic	517042
7 †	Diaphragm and seal kit for 1" Aquamatic	517583
7 †	Special wrench for 1" Aquamatic	518512
7 †	Repair kit for 1" Aquamatic includes 517582 kit	517583
8	Adapter	522156
9	Gauge, 1/4" NPT	550232
10	Air pressure regulator	517251
10 †	Diaphragm and O-ring for regulator	508161
11	Quick clamp	522154
12	Porting block	522157
13 †	Air filter, 1" manual	517271
13 †	Element for air filter, 5µ	508002
13 †	O-ring and gasket kit for Norgren air filter	505161
14	Quick clamp with feet	522155
15	Regulator, relieving	517612

† Essential component to prevent downtime

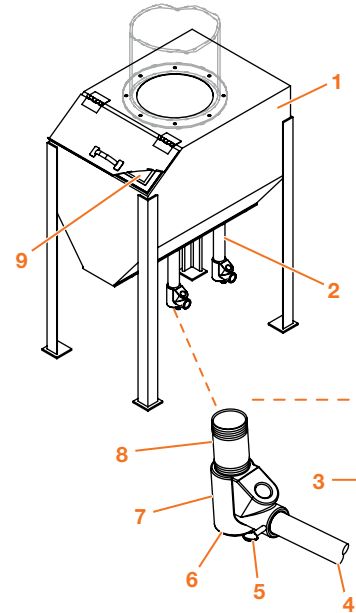


Parts: IL-885 Hopper Assembly

Guide to Part Numbers

IL-885 HOPPER COMPONENTS		
Item	Description	PART NUMBER
1	Hopper assembly, 4 and 6 gun systems	140487
2	Pipe nipple, 1¼" x 8"	546372
3	SAR-2 media regulator, complete, 1¼" FPT	290156
4	Blast hose, 5/8" (Specify length.)	520802
5	Screw	551042
6	Plug, clean out	510121
7	SAR-2 media regulator, body	753351
8	Pipe nipple, 5"	556742
9	Screen, storage hopper (6 gun only)	769663

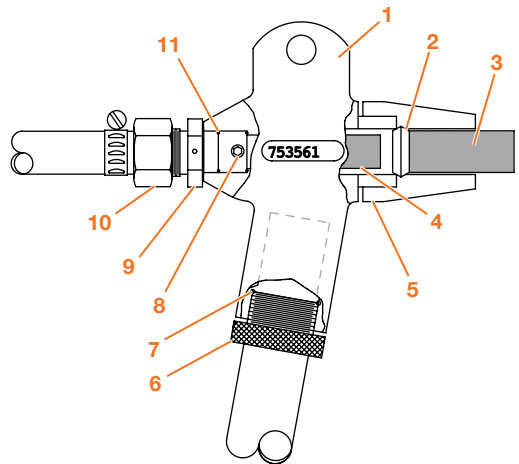
* Recommended spare part—Consumable wear item
 † Essential component to prevent downtime



Parts: IL-885 MH-2 Blast Guns

Item	Description	PART NUMBER
1 *	Gun body, MH-2 short handle	753561
2 *	Compression ring	752453
3 *	Nozzle, wide spray Di-Carb™, 3/8" (standard)	503573
4 *	Air jet, 5/32" (green)	505671
5 *	Nozzle adapter, plastic	505641
6	Nut, hose clamp, MH-2	520081
7	O-ring 1 1/16" ID x 1 5/16" OD	523881
8	Screw set, 1/4" - 20 x 3/8"	551052
9	Connector, MH-2	505631
10	Hose barb, 1/2" FPT x 1/2" hose	520402
11	O-ring, 1/2" ID x 5/8" OD (2 required)	523912

* Recommended spare part—Consumable wear item
 † Essential component to prevent downtime



MH-2 Suction Gun Assemblies	PART NUMBERS		
	Short-Handle Gun with		
Nozzle (Air Jet) Diameters	1/4" (#4)	5/16" (#5)	3/8" (#6) wide spray
Ceramic nozzle	505531	505541	NA
Di-Carb™ nozzle (standard)	505561	505571	140707
Boron nozzle	505591	505601	505605

• Short-handle gun with 3/8", wide spray Di-Carb™ nozzle (140707) supplied as standard.

Nozzles for MH-2 Guns	wide spray			
	Diameter (#)	1/4" (#4)	5/16" (#5)	3/8" (#6) 7/16" (#7)
PART NUMBERS				
Ceramic (each)	502421	502431	NA	502441
Ceramic (10 pack)	503341	503351	NA	503361
Di-Carb™ (each)	501331	501341	503573	501351
Boron (each)	502071	502081	503563	502091

Air Jets for MH-2 Guns			
Diameter	Designation	Note	PART NUMBER
3/32"	orange		505651
1/8"	yellow		505661
5/32"	green	Standard	505671
3/16"	blue		505681
7/32"	white		505691
1/4"	red		505701



Options Details: IL-885 Cabinets

Cabinet Options

	PART NUMBERS	
	FACTORY INSTALLED	CUSTOMER INSTALLED
Conveyor belt, protected by Ultrawear , provides extended service life.	600160	600160
Magnetic separator extracts ferrous debris during the media-reclamation process.	511572	511572
Safety matting protects workers by preventing slips and falls. (Two-foot-wide safety matting, with pockets to catch spilled media, is sold by the linear foot.)	509002	509002

Vibrating screen assures smooth flow of light and fine media.	140335	140419
--	--------	--------

Vibrating Screen Components

Item	Description	PART #
1	Regulator, relieving	517612
2	Air valve, pilot operated	519011
3	Breather vent	523161
4	Socket-head cap	553601
5	Vibrator	517971
6	Muffer, 1/8" bronze	517281
7	Spacer	536359

Window protector , made of clear plastic, is recommended for use with light, less aggressive abrasives.	509191	509191
Window protector , consisting of a steel screen, protects against heavy and coarse media.	509201	509201





Options Details: IL-885 Dust Collectors

Bag House Dust Collector Options

For DCM-200 (PN 113000), DCM-200A (PN 113001) & DCM-200B (PN 113002)

PART NUMBERS
FACTORY INSTALLED **CUSTOMER INSTALLED**

Bag shaker, automatic electric, cleans bags thoroughly every time the system is turned off.

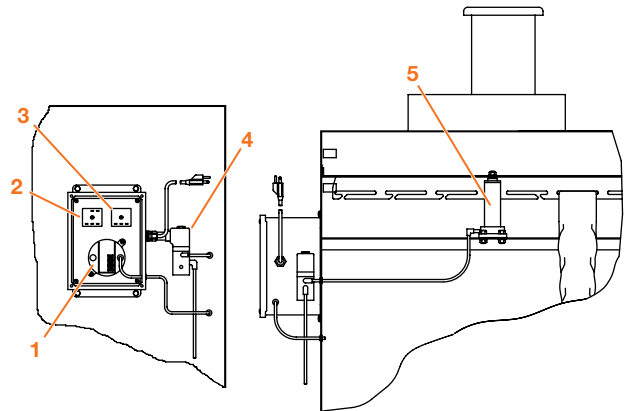
140340

140390

For DCM-200, DCM-200A & DCM-200B

Bag Shaker, Automatic Electric Components

Item	Description	PART #
1	Pressure switch, differential	550311
2	Timer	531081
3	Flasher	535313
4	Solenoid valve, 120 VAC	517311
5	Cylinder (not included; standard with collector)	515981



Bag shaker, automatic pneumatic for DCM-200, DCM-200A & DCM-200B

140683

140684

For part information: **Call factory.**

HEPA filter captures very fine particles.
Replacement filter

140215

140215

516305

516305

HEPA filter, pressure differential gauge assembly informs operator regarding filter cleanliness.

140221

140221

Leg extension kit raises collector so larger collection drum can be placed underneath.

Kit for DCM-200, DCM-200A & DCM-200B

140180

140180

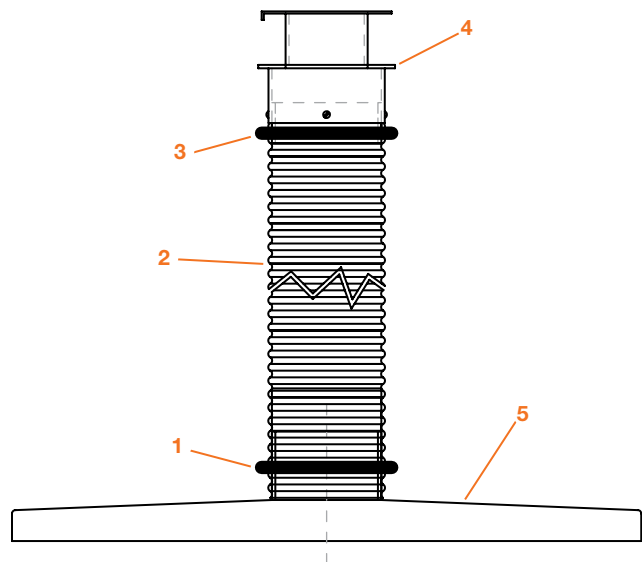
Lid assembly for 55 gallon drum attaches securely to clean-out door.

140255

140255

Lid Assembly Components

Item	Description	PART #
1	Hose clamp, 4"	520531
2	Dust hose, light-duty, 4"	522923
3	Hose clamp, 4"	520531
4	Adapter	760412
5	Lid, 55 gallon drum Gasket for lid (not shown)	761007 800166



Manometer keeps operator informed regarding bag cleanliness.

140344

140398

Sound attenuator/exhaust damper reduces noise in the work place.

Attenuator/damper for DCM-200A

140769

140769

Attenuator/damper for DCM-200B

140680

140680



Options Details: IL-885 Dust Collectors

Cartridge Dust Collector Options

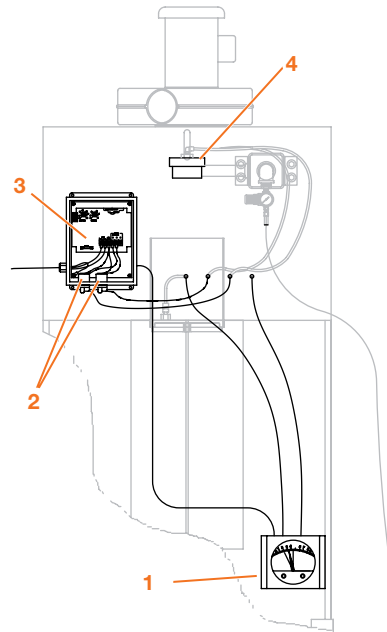
For CDC-6 (PN 113007), CDC-9 (PN 113011) & CDC-12 (PN 113013)

	PART NUMBERS	
	FACTORY INSTALLED	CUSTOMER INSTALLED
HEPA filter captures very fine particles.	140215	140215
Filter replacement	516305	516305
HEPA filter, pressure differential gauge assembly informs operator regarding filter cleanliness.	140221	140221
Leg extension kit raises collector so larger collection drum can be placed underneath.	140185	140185
Lid assembly for 55 gallon drum attaches securely to clean-out door. (Page F15.)	140155	140155
Manometer keeps operator informed regarding bag cleanliness.	140344	140398

Photohelic cartridge cleaning improves system performance, saves operator time.	140900	140900
--	--------	--------

Photohelic Cleaning Components

Item	Description	PART #
1	Photohelic gauge	550074
2	Solenoid valve	516335
3	Timer board	585090
4	Diaphragm valve (2 required) (Not included; standard on collector)	516350



Sound attenuator/exhaust damper reduces noise in the work place.		
---	--	--

Attenuator/damper for CDC-6	140361	140361
Attenuator/damper for CDC-9	140769	140769
Attenuator/damper for CDC-12	140680	140680