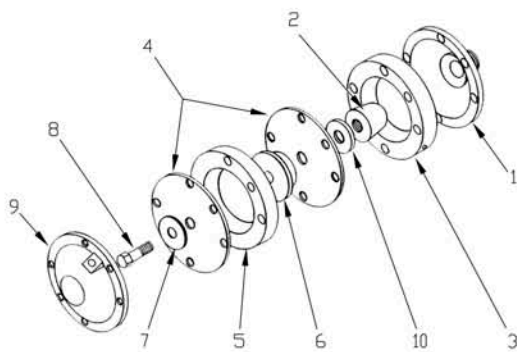


ALL EMPIRE BLAST EQUIPMENT REQUIRES COMPLIANCE WITH OSHA AND NIOSH REGULATIONS AND RECOMMENDATIONS.

Automatic Exhaust Valves

290181	MG-72	Automatic Exhaust Valve, Used With Standard 680 Remote Control System	18 lbs.
290182	MG-78	Automatic Exhaust Valve Used With Blast Room Pressure Vessel System	18 lbs.

MG-72 Exhaust Valve Parts



Item	Part #	Description:	Ship Weight
1	753442	Inlet Cover	3 lbs.
2	525322	Valve Ball	1 lb.
3	753722	Exhaust Ring	4 lbs.
4	523672	Rubber Diaphragms (Each)	1 lb.
5	753402	Outer Spacer Ring	4 lbs.
6	753392	Inner Spacer Ring	2 lbs.
7	552902	Washer	1 lb.
8	551962	Hex Bolt, 1/2"-13 x 1 3/4"	1 lb.
9	753382	Valve Cover	3 lbs.
10	553412	Spacer Washer	1 lb.

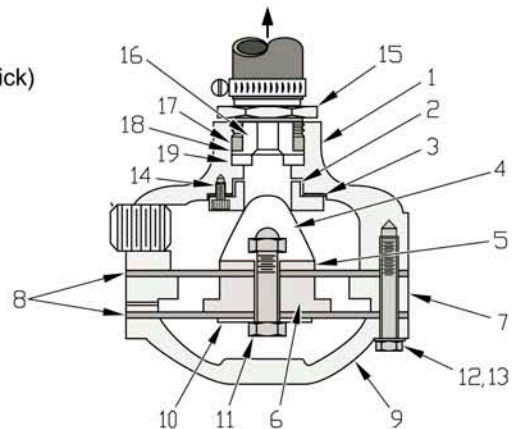


WARNING

STAY CLEAR OF EXHAUST VALVE WHEN POT BLOWS DOWN. EXHAUSTED PARTICLES CAN CAUSE EYE INJURY.
NOTE: BLOW DOWN IS OPERATOR CONTROLLED AND CAN OCCURE WITHOUT WARNING. WEAR PROTECTIVE CLOTHING.

MG-78 Exhaust Valve Parts

Item	Part #	Description:
	290183	Rebuild Kit, MG-78 (Seat & gasket, ball, diaphragm, 3 screws, drawing). <i>Note: MG-78 castings must be in good condition to use PN 290183 effectively.</i>
1	753332	Valve body
2	753412	Seat, valve ball (steel)
3	524132	Gasket, seat
4	525322	Valve ball (also used on 411 & 412 valves)
5	553412	Spacer washer, steel (1/2" ID x 2" OD x 1/4" thick)
6	753392	Spacer ring, inner
7	753402	Spacer ring, outer
8	523672	Diaphragm
9	753382	Cover, valve
10	552842	Washer (1/2" ID x 2" OD x 1/16" thick)
11	551962	Bolt, 1/2"-13 x 1-3/4"
12	553892	Bolt, 3/8"-16 x 2"
13	552762	Lock washer, 3/8"
14	551122	Screws, seat, 1/4"-20 x 1/2" (pack of 3)
15	544512	Reducer bushing, 1-1/4" MPT x 1" FPT



RESTRICTOR PARTS

•	290218	Restrictor kit
16	502431	Ceramic nozzle (std.)
	502081	Boron carbide upgrade for restrictor kit, customer installed (extended wear)
	290184	Boron carbide upgrade for restrictor kit, factory installed (extended wear)
17	552952	Washer, steel
18	524062	Washer, nozzle, NW-1 (1" ID x 1-1/2" OD x 1/4" thick) (pack of 10)
19	524082	Washer, nozzle, NW-4 (3/4" ID x 1-1/2" OD x 1/4" thick) (pack of 10)

• **TIP:** Worn restrictors may result in premature reclaimer failure. Check the restrictor for wear when replacing a reclaimer. Check for wear often when using aggressive media.